

REHANDLING / UNLOADING CLAMSHELL BH550 BH600



FEATURES :

The BH550 AND BH 600 models are ideal for working with excavators from 22 to 50 tonnes.

With their 360° rotation, Arden Equipment grabs allow easy handling whatever the configuration of your work sites.

They have either 1 cylinder and 2 synchronization links or 2 cylinders and 1 synchronization link protected in the body.

The special shells used are known for their strength and resistance to wear.

Arden Equipment rehandling grabs can be totally tailored to your needs, they come in different sizes to meet all your needs depending on the materials to be picked up, the working environment and the carrier.

PERFORMANCE

RESISTANCE

TAILORED DEVICE

ADVANTAGES :

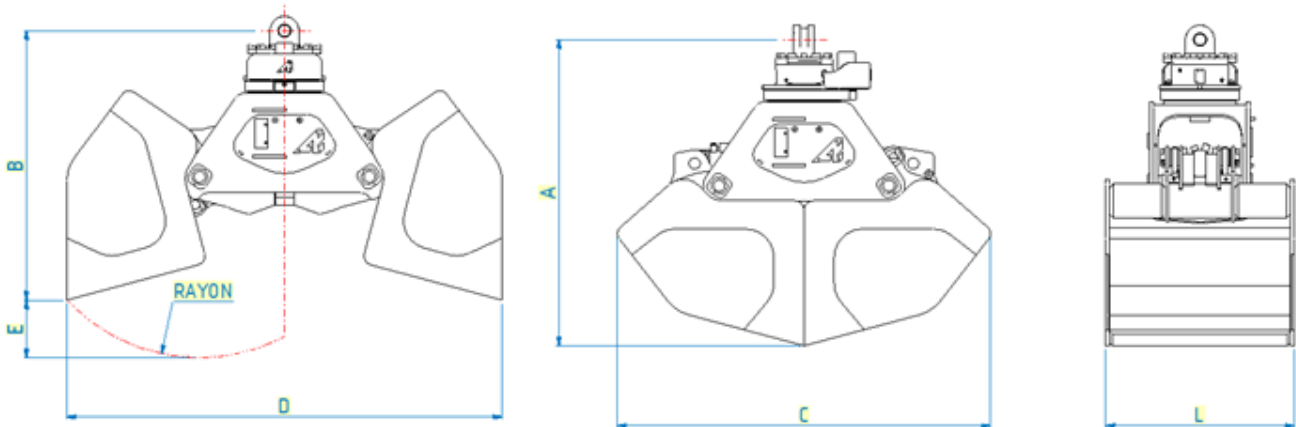
- Adaptable for excavators from 22 to 50 tons.
- Rehandling kinematics specially designed to limit the wear of the shells as much as possible and thus protect the floors of wagons, boats and the disposal of excess ...
- Male connector
- Several rotations possible
- Pin thread HF
- Abrasion resistant steel shells
- HLE steel superstructure (High Elastic Limit)
- 1 or 2 cylinders protected in the body
- Blades perpendicular to the ground

OPTIONS :

Autonomous centralized lubrication
Reversible counter blades
Counterside blades
Half closed for pulverulent material
Strips
2 hooks welded on the body



TECHNICAL DIAGRAMS



TECHNICAL CHARACTERISTICS

Carrier weight (t)	References	SPECIFICATIONS					Rehandling shells		Body weight(*3*4)	
		A	B	C	D	E	l mm / volume lt (poids)		Rotation 151	Rotation 251
22 - 30	BH550	PP	1650	1449	1979	2317	312	1200/1090 (871)800/1650 (1087)	496	540
27 - 37	BH550	GP	1760	1477	2073	2530	383	1200/1320 (917) 2000/2220 (1205)	496	540
24 - 37	BH600	PP	1617	1376	2162	2425	346	1000/1080 (953) 2100/2310 (1434)	495	615
27 - 40	BH600	MP	1742	1408	2243	2667	427	1000/1280 (1008) 100/2750 (1506)	495	615
32 - 50	BH600 R201	GP	1875	1440	2646	2940	500	2000/30500 (1660) 2300/4020 (1727)	--	615
30 - 50	BH600 R251	SP LOW DENSITY	2603	1732	3784	4067	922	1800/7200 (1997) 3000/1200 (2520)	--	718

- 1 For some models: varies according to type of carrier and its configuration - Contact us
 2 PP: small profile, MP: medium profile, GP: large profile
 3 Weight without suspension link, superstructure only
 4 Model available in 2 versions, with different engines (R201 vs R151) - Contact us for more information
 5 Max density <0.6