

NEW GENERATION

P103-P203 TEETH SERIE 3



A more wear-resistant generation of teeth

This new generation of Series 3 teeth has 30% more material than the Series 1 teeth, so you can be sure of a longer service life.

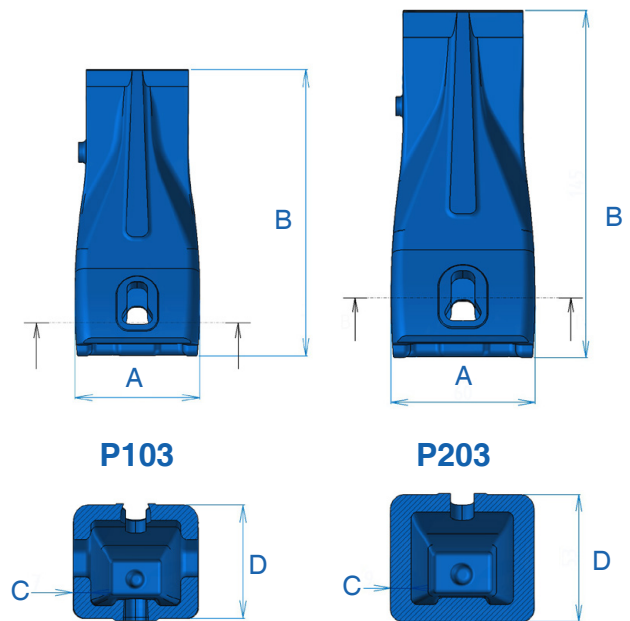
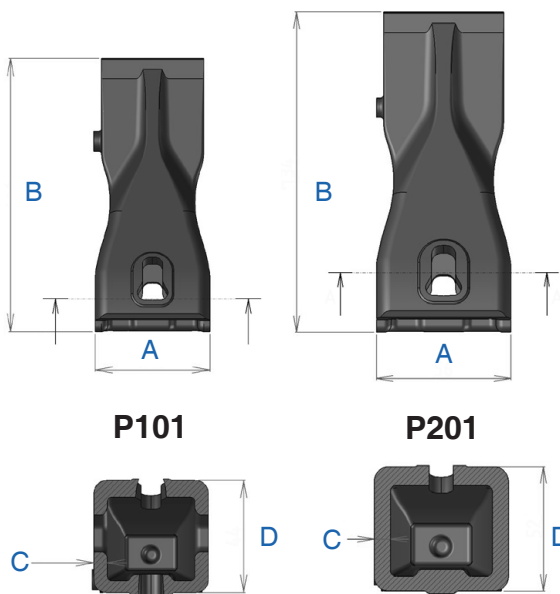
The teeth can be fitted to R05, R10 and R20 backhoe buckets for all excavators from 0.8 to 10 tonnes and remain **compatible with Series 1 adapters**.



30% more material
in comparison to
1 series
*may vary depending on the
model*

OLD GENERATION

NEW GENERATION

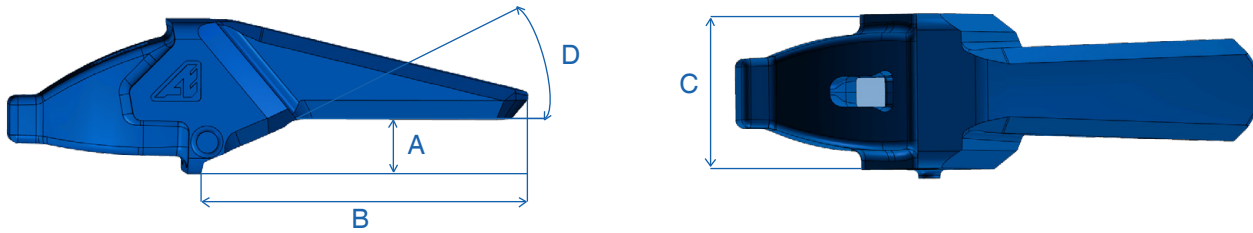




tons	Reference	KG	A mm	B mm	C mm	D mm
Older generation	P101	0,450	45	107	5	44
NEW ≤ 3	P103	0,651	49	112	7	44
Older generation	P201	0,880	56	134	7	52
NEW 3 - 10	P203	1,3	60	145	9	53



Compatibility of new teeth with flush adapters

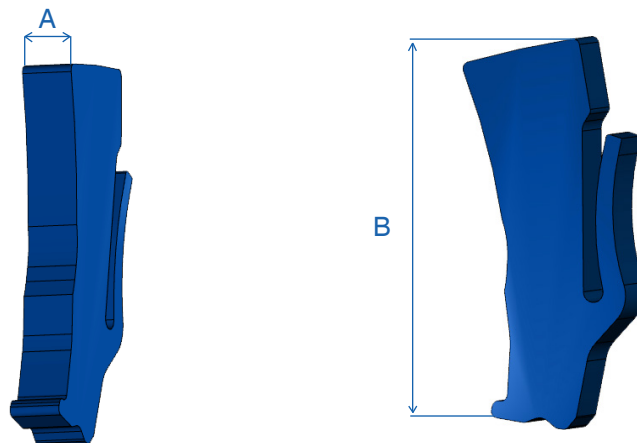
There are two references. Make your choice according to the weight of the shovel.





 tons	Reference	Teeth reference	 KG	A mm	B mm	C mm	D degree
≤ 3	A101	P103	0,84	16	98	45	23°
3-10	A201	P203	1,66	20	122	56	23°

Keys

This tip is easily attached to the adapter by vertical insertion.
The key is held in place by an elastic strip.



 tons	Reference	 KG	A mm	B mm
≤ 3	C101	0,02	6	45
3-10	C203	0,05	8	56