

QA MECHANICAL QUICK ARDEN QUICK HITCH

05M - 23M



More reliability and safety for this new series of mechanical quick couplers

The **Quick Arden (QA)** quick coupler system allows quick changeover of various attachments on a hydraulic excavator or backhoe.

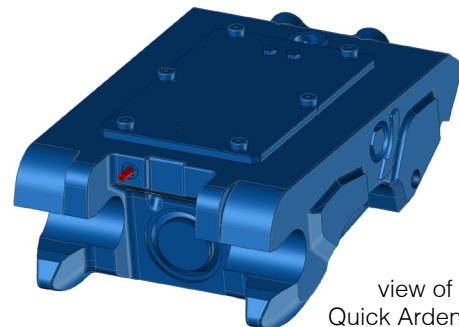
The mechanical quick couplers, with key release and automatic locking from the cab, are fitted to all excavators from 0.8 to 11 tons and meet current safety standards.

This new version provides greater reliability thanks to internal safety components and improved visibility of locking/unlocking from the indicator.

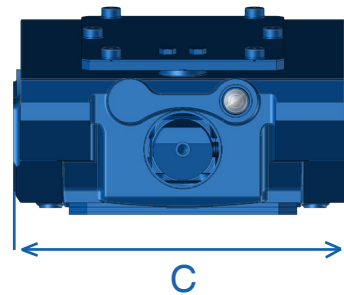
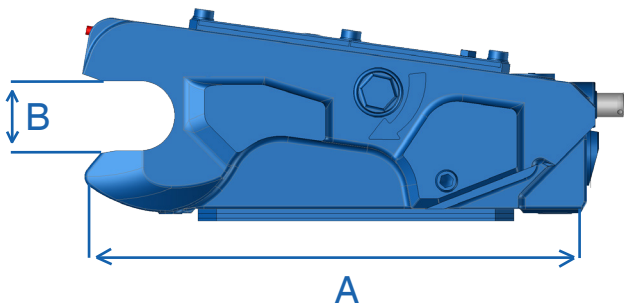
Also, unhooking can be done safely once the attachment is on the ground.



Characteristics

- ✓ Compact
- ✓ Automatic slack adjustment
- ✓ Reversible bucket compatible
- ✓ Handling hole for shackles



view of a Quick Arden 13 M

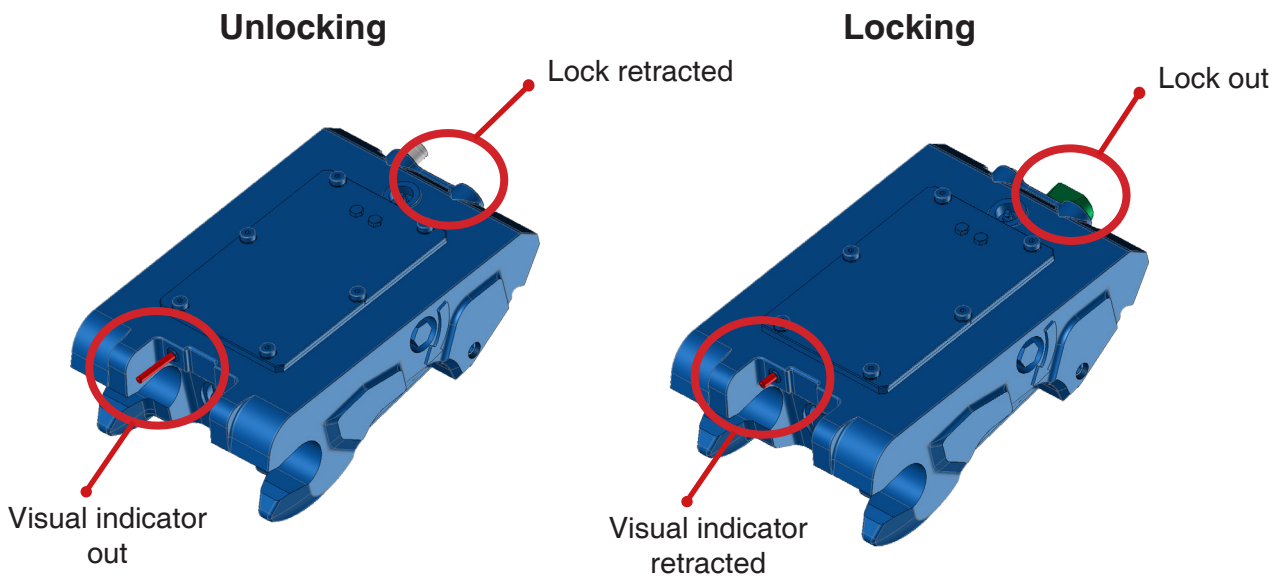


|  | Reference |  KG | A | B | C |
|---|-----------|--|-----|----|-------|
| t | | kg | mm | mm | mm |
| 0,8 - 3 | QA05-M | 22 | 264 | 40 | 184 |
| 2,6 - 6 | QA13-M | 50 | 290 | 45 | 224,5 |
| 6 - 11 | QA23-M | 75 | 347 | 55 | 269,5 |



Security

The visual indicator lets the operator know from the cab whether the hitch is locked or unlocked.



Increased safety for locking and unlocking the bucket on the ground.

- 1 Verification**
Check that your AQ is unlocked.
- 2 Pinning**
Position the AQ on the tool. Once the quick-release is engaged, the latch automatically extends.
- 3 Cavity movement**
Always make a recessing movement to ensure that the clamp is locked in place.
- 4 Unlocking and unhooking**
Always place your tool on the ground and unlock the AQ with the lever.

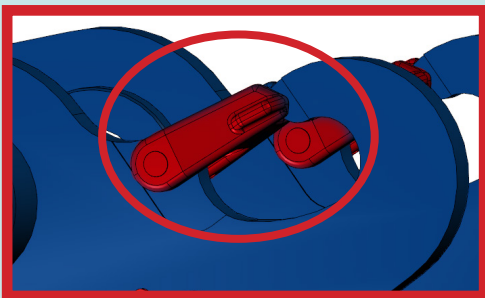


QA M series 3 operating video

Option

Quick Arden (QA) series 3 quick fasteners are available with :

+ Integrated latch hooks



Standards

QA Series 3 mechanical quick fasteners meet the following standards:

- ✓ EN 474-1:2022
- ✓ EN 474-(4&5):2022
- ✓ ISO 13031:2016
- ✓ EG Machinery Directive 2006/42/EC

