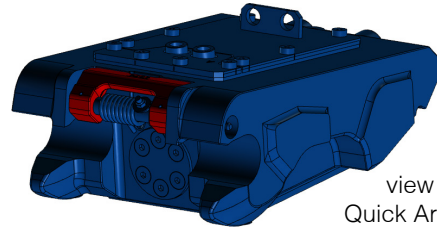


# QA HYDRAULIC QUICK ARDEN QUICK HITCH



## More safety for this new quick release range

The Quick Arden quick hitch system (QA) allows quick change of different attachments on a hydraulic excavator. These self-locking quick hitch are fitted to all excavators from 0.8 to 37 tonnes and meet current safety standards.

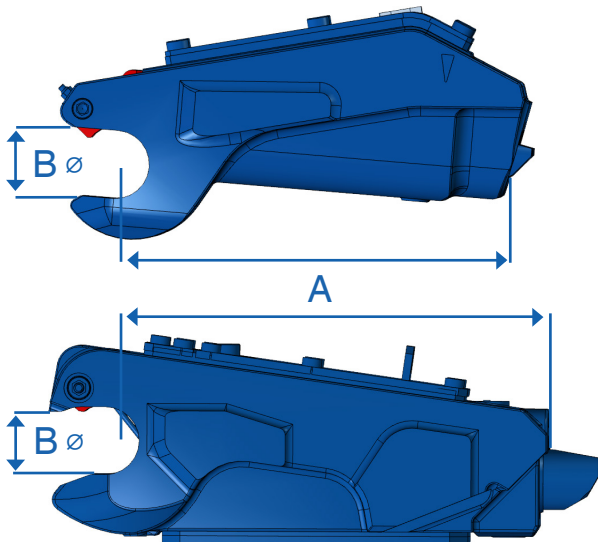


view from Quick Arden13-H

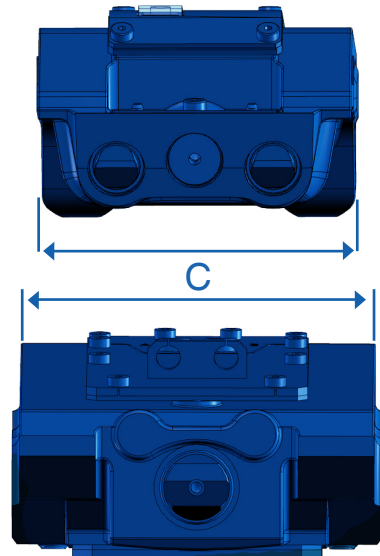
The hydraulic QA quick hitch are equipped with a safety paddle on the front axle.

## Characteristics

- ✓ Compact
- ✓ Automatic game catch-up
- ✓ Compatible reversible buckets
- ✓ Handling hole for shackles



QA05-H



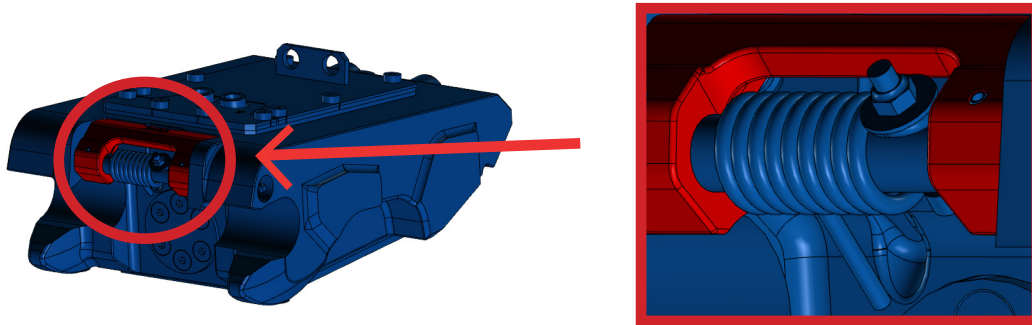
QA13-H  
QA23-H  
QA33-H  
QA42AH  
QA53-H  
QA62BH

t	Reference	KG kg	A mm	B mm	C mm	Pressure		Flow rate	
						bar		l/min	
						min	max	min	max
0,8 - 3	QA05-H <i>simple circuit effect</i>	20	240	40	180	210	250	5	10
2,6 - 6	QA13-H	50	290	45	224,5	210	350	10	30
6 - 11	QA23-H	75	347	55	269,5	210	350	10	30
12 - 15	QA33-H	140	408	65	331,5	210	350	10	30
16 - 19	QA42AH	180	454	75	383,5	210	350	10	30
20 - 26	QA53-H	280	500	85	424,5	210	350	10	30
27 - 37	QA62BH	430	561	100	579,5	210	350	10	30



## Security

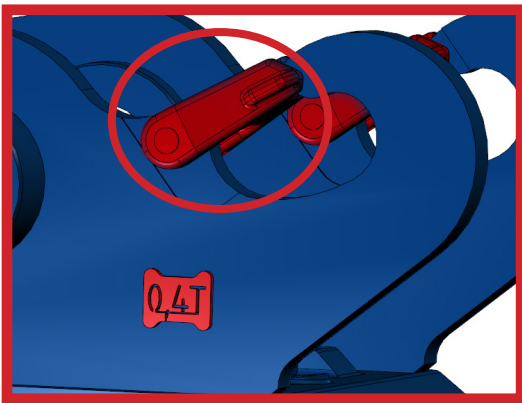
On the hydraulic QA quick hitch, the safety paddle serves as a locking indicator.



## Options

Hydraulic Quick Arden (QA) are available with different options.

### + Hook with latch



### + Hydraulic control box



QA05H hydraulic line single effect

QA13H - QA62BH hydraulic line double effect

## Standards

QA hydraulic quick couplings meet the following standards:

- ✓ EN 474-1:2022
- ✓ EN 474-(4&5):2022
- ✓ ISO 13031:2016
- ✓ EG Directive machines 2006/42/CE



+33 (0)3 24 33 64 30

contact@arden-equipment.com

9 avenue de l'Industrie FR - 08000 Charleville-Mézières

www.arden-equipment.com

