

ARDEN TILT ROTOR ATR015



Flexibility for your sites

The ATR015 is compatible with all excavators of 12 15 tonnes.

Thanks to its cylinders, it is one of the most compact tiltrotator on the market.

Its robust design will adapt to all your machine configurations with its 2LP and OSCP control system.

It is available with 5 types of quick hitch:

- ✓ AIO 350
- ✓ QA33
- ✓ UA33
- ✓ AECW20
- ✓ AES60

Characteristics

- ✓ Vérins télescopiques.
- ✓ Control systems 2LP et OSCP available.
- ✓ Safety valves integrated into the cylinders.
- ✓ Additional hydraulic line (extra)
- ✓ Endless 360° rotation and 40° tilt on each side.

Benefits

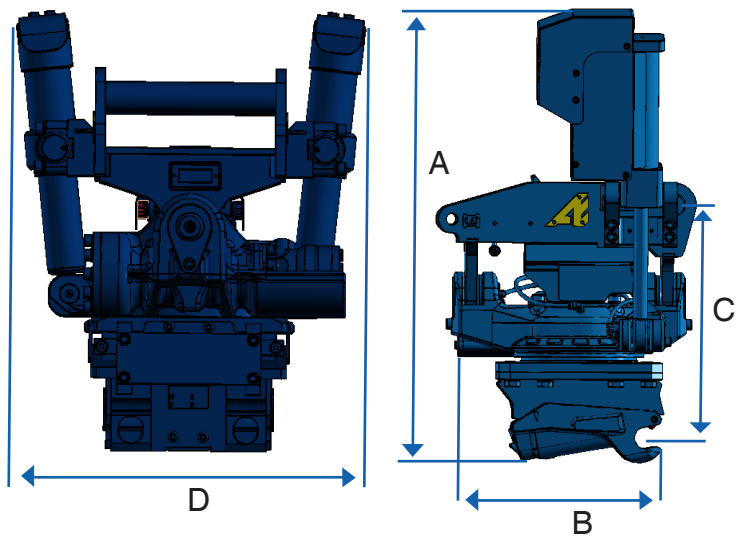
- ✓ Safer work environment.
- ✓ Time saving on sites.
- ✓ Reduce machines transport on sites.
- ✓ Less fuel consumption.

Options

Grouped lubrication.

Integrated nozzle clamp.

Sensor for 3D/GPS system.



Height (A)	934mm
Depth (B)	726mm
Height (C)	489mm
Length (D)	706mm
Weight	450kg

Tilt angle	2x40°
Rotation	360° sans fin
Hydraulic flow	40-60 l/min
Max pressure	210 bar

Printed by Fusion Graphic 4 Rue François Urano, 08000 Warcq - Do not throw on the public highway - Non-contractual information and subject to modification without notice



+33 (0)3 24 33 64 30

contact@arden-equipment.com

9 avenue de l'Industrie FR - 08000 Charleville-Mézières

www.arden-equipment.com

