

ARDEN TILT ROTOR ATR004



Productivity and time saving for your demolition sites

The ATR004 is compatible with all excavators from 2 to 4T.

The ATR004 is one of the most compact tiltrotator on the market.

Its robust design will adapt to all your machine configurations with its 2LP and OSCP control system.

It is available with 3 type of quick hitch:

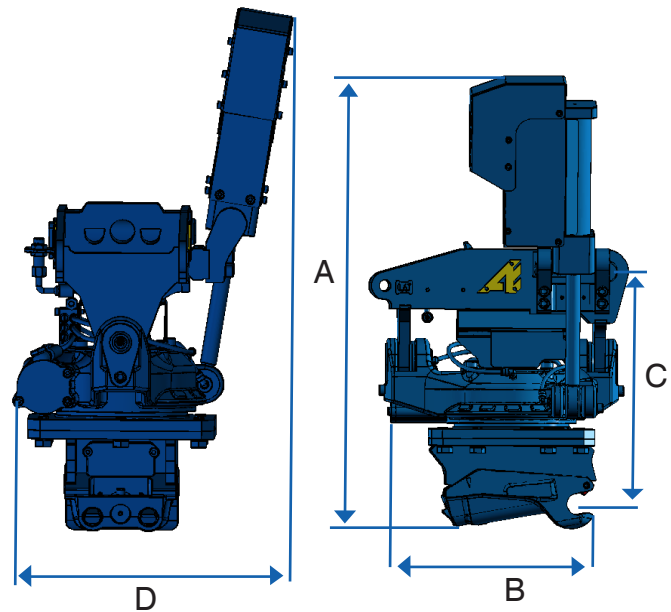
- ✓ QA 05
- ✓ UA13
- ✓ AES40

Characteristics

- ✓ Control systems 2LP et OSCP available.
- ✓ Safety valves integrated into the cylinders
- ✓ Additional hydraulic line (extra)
- ✓ Endless 360° rotation and 40° tilt on each side.

Benefits

- ✓ Safer work environment.
- ✓ Time saving on sites.
- ✓ Reduce machines transport on sites.
- ✓ Less fuel consumption.



Options :
Grouped lubrication
Sensor for 3D/GPS system.

Height (A)	725mm
Depth (B)	465mm
Height (C)	330mm
Length (D)	440mm
Weight	98kg

Tilt angle	2x40°
Rotation	360° endless
Hydraulic flow	20l / min
Max pressure	210 bar

Printed by Fusion Graphic 4 Rue François Urano, 08000 Warcq - Do not throw on the public highway - Non-contractual information and subject to modification without notice

