

HYDRAULIC QUICK HITCH AES S TYPE NORDIC STANDARD

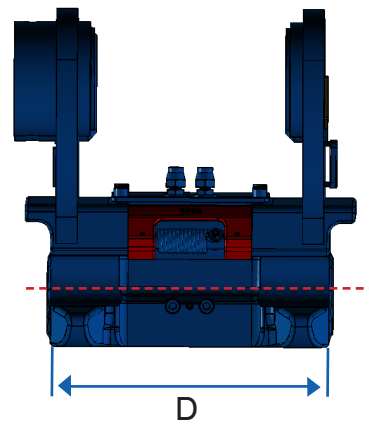
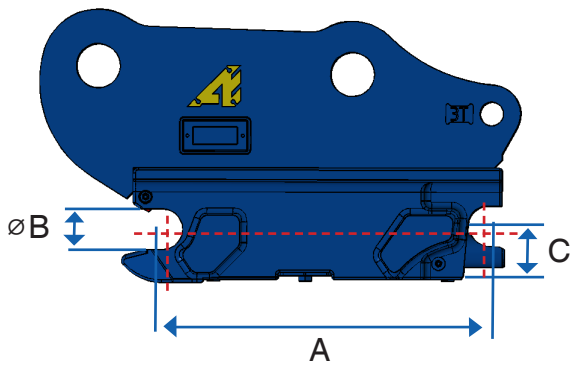


Easy, quick and safe changeover.

With the AES type “S” quick hitch, you can quickly and easily change attachment without leaving the cab.

This attachment is intended for excavators from 0.8 to 90 tons. It is reversible and compatible with the Nordic type S standard.

It is equipped with a safety pallet on the front axle.

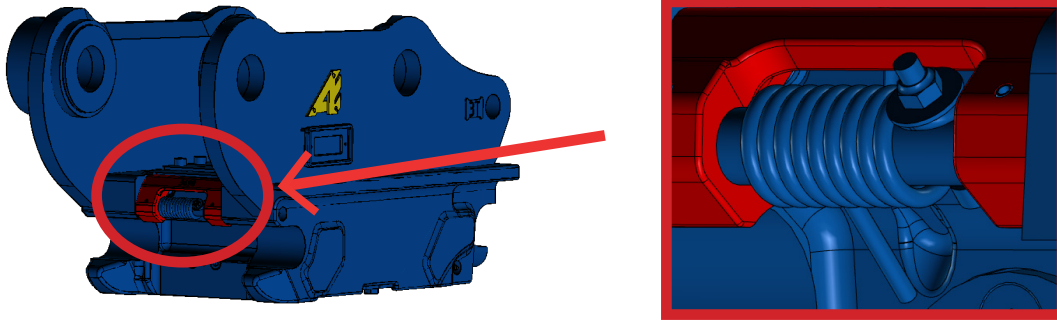


t	Reference	KG kg	A mm	B ø mm	C mm	D mm	Pressure		Flow rate	
							bar		l/min	
							min	max	min	max
0,8 - 6	AES040	42	300	40	50	198	150	250	5	15
6 - 11	AES045	100	430	45	65	288	150	350	5	15
6 - 11	AES050	100	430	50	65	268	150	350	5	15
12 - 19	AES060	160	480	60	80	338	150	350	5	15
20 - 26	AES070	300	600	70	100	448	150	350	5	15
27 - 37	AES080	460	670	80	115	690	150	350	10	20
38 - 90	AES090	800	750	90	125	748	150	350	10	20



Security

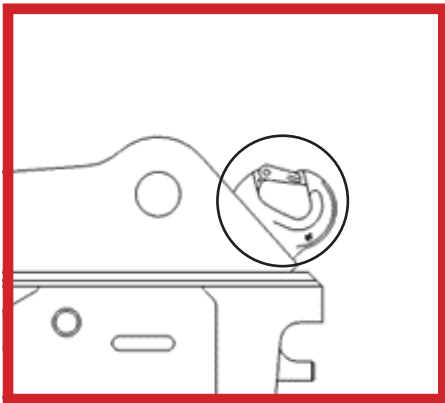
On the AES quick hitch, the safety paddle serves as a locking indicator.



Options

The AES quick hitch is available with different options.

+ Welded hook



+ Hydraulic control box



hydraulic line double effect



+33 (0)3 24 33 64 30

contact@arden-equipment.com

9 avenue de l'Industrie FR - 08000 Charleville-Mézières

www.arden-equipment.com

