

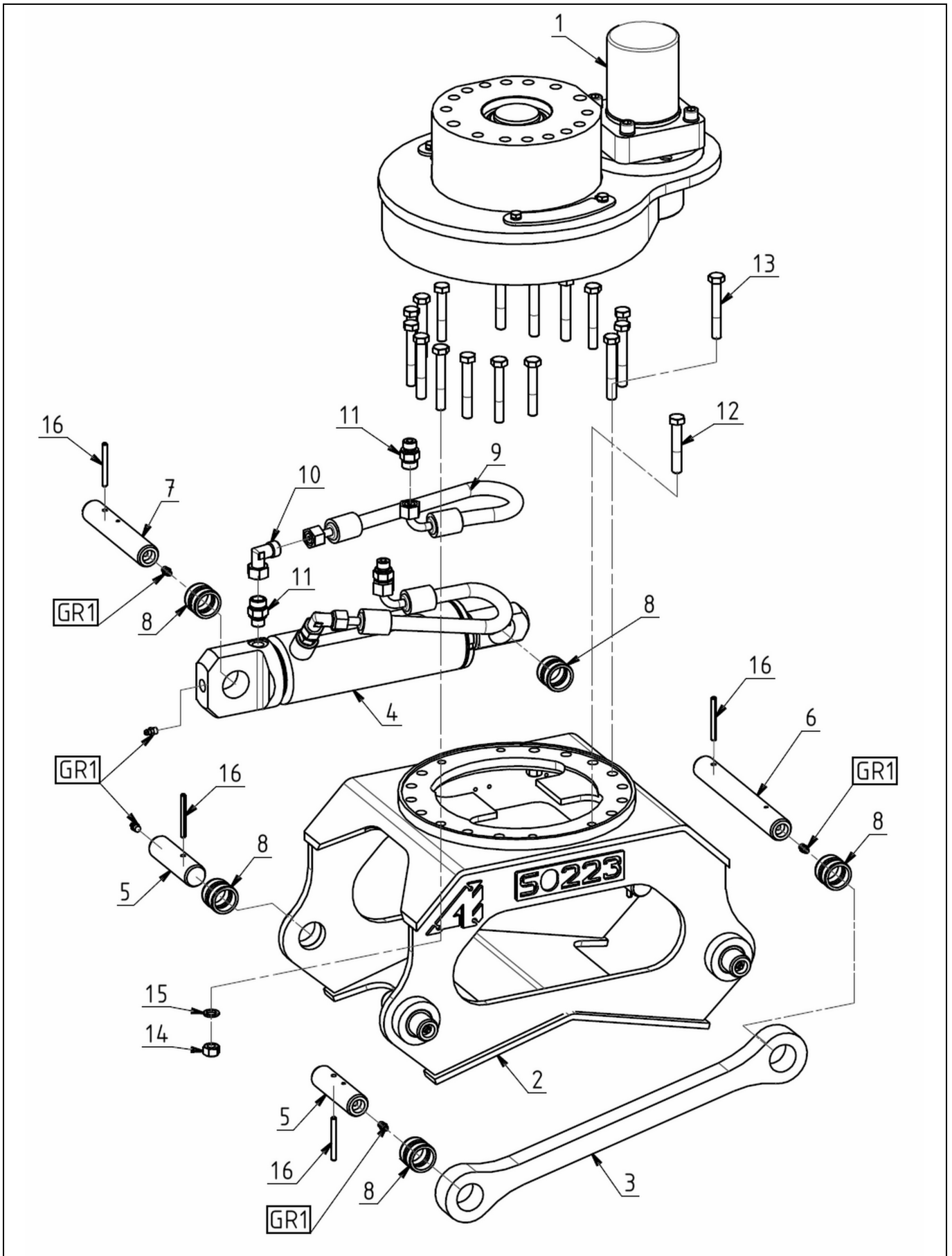
Demolition and sorting grab structure S0223-R01

Date of review: 08-mars-21

Review: A

Exploded view

S0223-R01SS_A



Demolition and sorting grab structure S0223-R01

Date of review: 08-mars-21

Review: A

Pos	Part Number	Qty	Description	S/No - Remarks
01	RAE0061-1DE01	1	Rotation set	
02	X23076-100	1	Frame	
03	X23076-400	1	Link	
04	V1202	1	Cylinder	
05	X72483	5	Pin	
06	X72484	1	Pin	
07	X72485	1	Pin	
08	X80468	8	Bushing	
09	FLEX3188	2	Hose	
10	RAC30318	2	Threaded adapter	
11	RAC30320	4	Threaded adapter	
12	HM12-070C10	4	Hex head capscrew	
13	HM12-080C10	14	Hex head capscrew	
14	H12C10	14	Nut	
15	RZ12	14	Lock washer	
16	GE06-060	7	Spring-type straight pin	
GR1	GM8	9	Grease nipple	

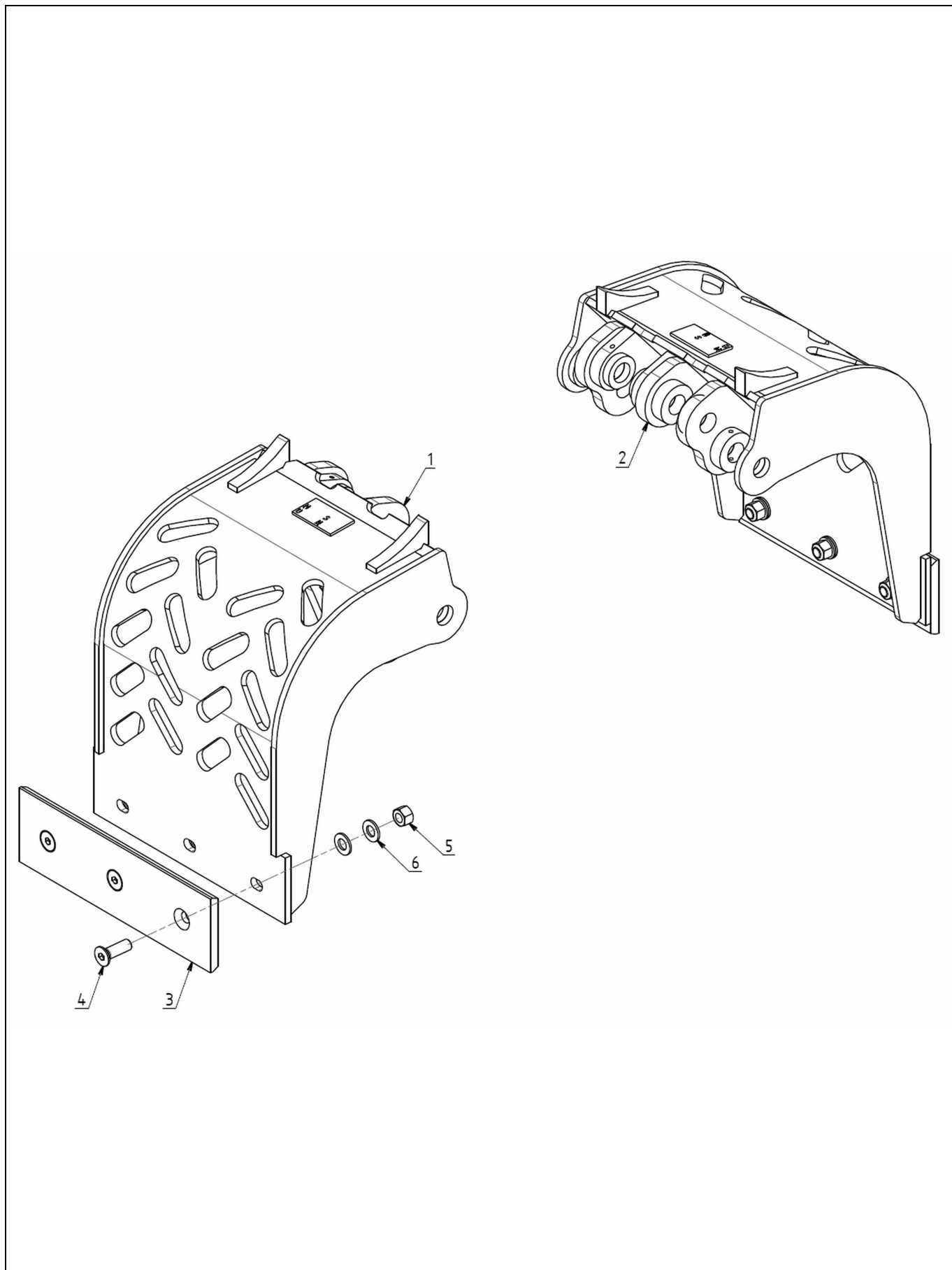
Shells set for JPS0223AFAP

Date of review: 03-nov.-22

Review: A

Exploded view

JPS0223AFAP_A



Shells set for JPS0223AFAP

Date of review: 03-nov.-22

Review: A

Pos	Part Number	Qty	Description	S/No - Remarks
01	X31825-300	1	Jaw "A"	
02	X31825-400	1	Jaw "B"	
03	CLNU-95073	2	Bolt on blade	
04	FHC16-050C10	6	Hex socket Countersunk head scre	
05	HFR16C10M	6	Self-locking nut	
06	RP16M	12	Flat washer	
x	CLR-95073		Blade set	

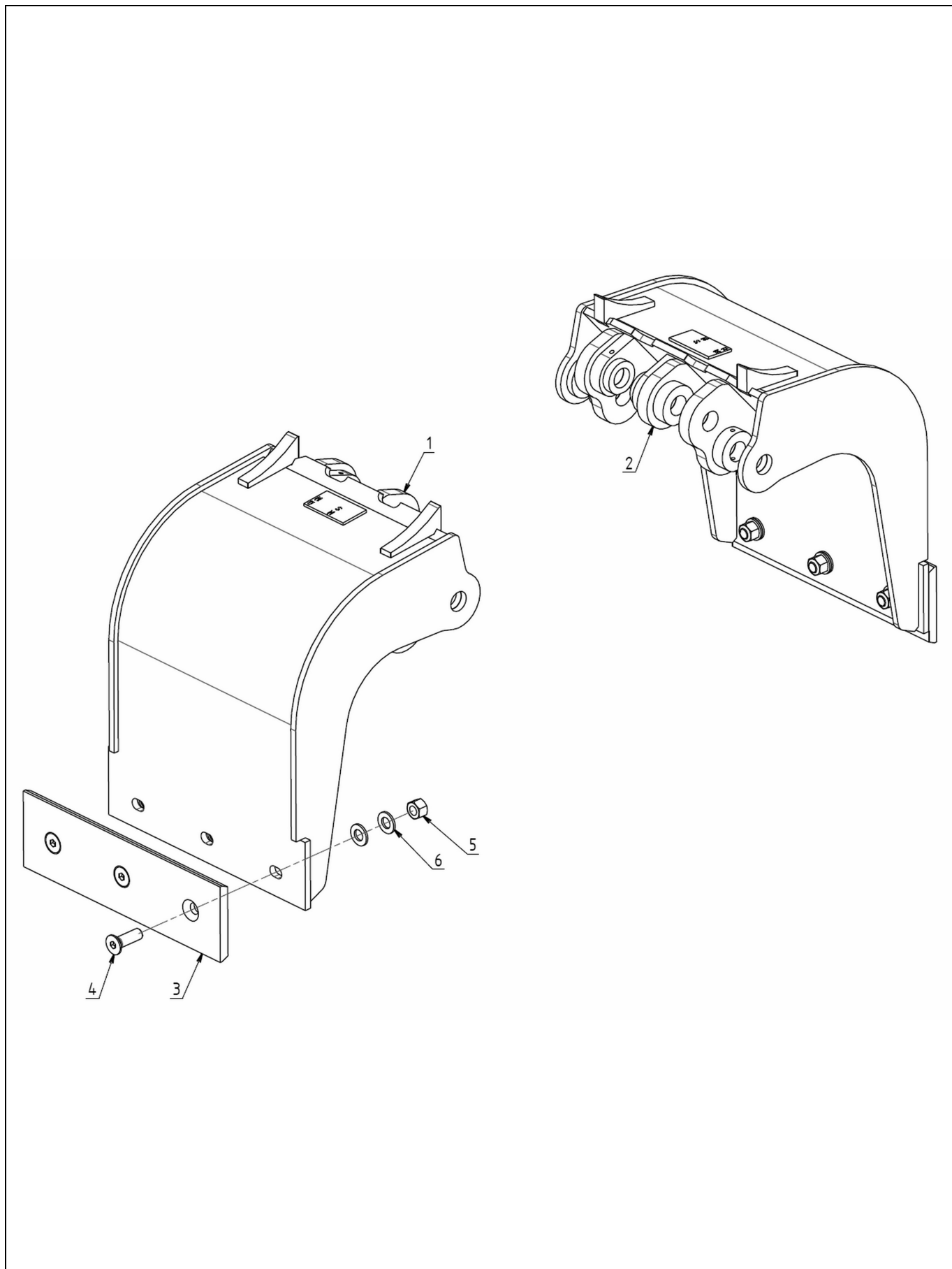
Shells set for JPS0223AROC

Date of review: 03-nov.-22

Review: A

Exploded view

JPS0223AROC_A



Shells set for JPS0223AROC

Date of review: 03-nov.-22

Review: A

Pos	Part Number	Qty	Description	S/No - Remarks
01	X31825-500	1	Jaw "A"	
02	X31825-600	1	Jaw "B"	
03	CLNU-95073	2	Bolt on blade	
04	FHC16-050C10	6	Hex socket Countersunk head scre	
05	HFR16C10M	6	Self-locking nut	
06	RP16M	12	Flat washer	
x	CLR-95073		Blade set	