

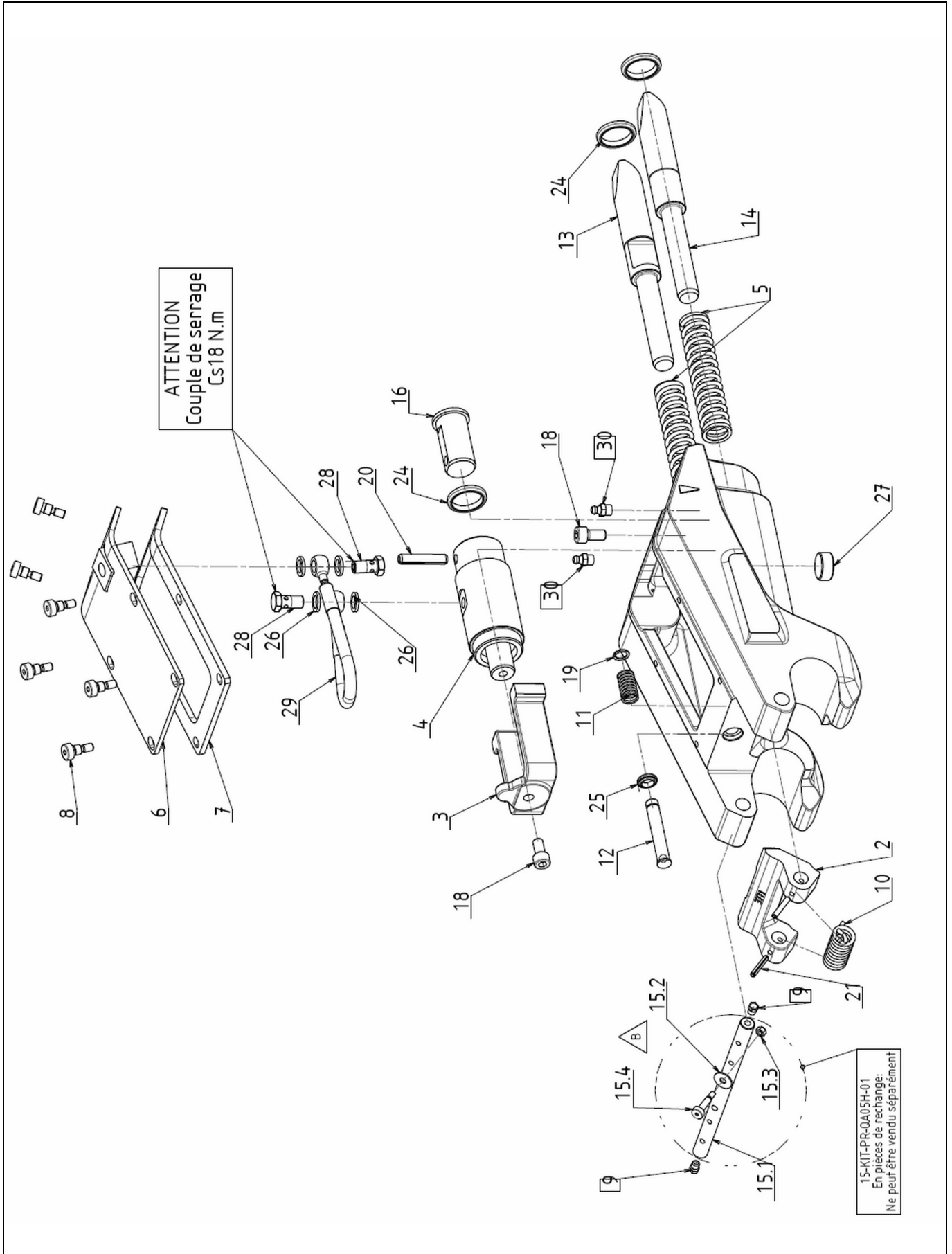
# Quick Coupler QA05-H

Date of review: 07-juin-24

Review: B

Exploded view

QA05-H\_B



# Quick Coupler QA05-H

Date of review: 07-juin-24

Review: B

Pos	Part Number	Qty	Description	S/No - Remarks
01	X3713H	1	Frame	
02	X3771	1	Security hook	
03	X3736	1	Spring stirrup	
04	V1358	1	Cylinder	
05	X94971	2	Compression spring inside	
06	X94948	1	Hood	
07	X92418	1	Cover seal	
08	X92117	6	Screw plug	
09	X94969	2	Grease nipple	
10	X94933	1	Spring	
11	X94758	1	Spring	
12	X94946	1	Pin	
13	X92411	1	Left bolt	
14	X92419	1	Right bolt	
15	KIT-PR-QA05H-01	1	Mounting kit	
15.1	X72992	1	Pin	
15.2	RP05L	1	Flat washer	
15.3	HFR04	1	Self-locking nut	
15.4	X95560	1	Bolt	
16	X72995	1	Pin	
18	CHC08-016C12	2	Socket head capscrew	
19	CIR010E	1	Retaining ring for bore	
20	GE08-040	1	Spring-type straight pin	
21	GE04-024	2	Spring-type straight pin	
24	J30377	3	Wiper ring	
25	J30423	1	Wiper ring	
26	J30431	4	Packing ring	
27	RAC30476	2	Banjo screw	
28	RAC30491	1	Plug	
29	FLEX3839	1	Hose	
30	GM8	2	Grease nipple	