

# BACKFILL & EARTHMOVING CLAMSHELLS

## BA



### *Strength and adaptability for all your job sites.*

The BA303, BA404, BA453, BA553, BA604-B and BA704 clamshells are ideal for use with 10 to 53-ton excavators.

They are available in several versions and sizes to meet all your needs. Depending on the model, we offer an earthmoving version, a handling version and a circular version:

- Special earthmoving shells are known for their penetration force, strength and wear resistance. They are available with teeth.
- Special handling shells are designed for handling various materials.
- Special circular shells are used for drilling and digging wells and pipelines.

Changing shells on the BA303, BA404, BA453 and BA553 models has never been easier or faster thanks to the cast spreader beam limiting the number of pins to 3. In addition, this system ensures safe handling and transport of materials.

### Characteristics

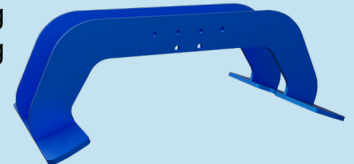
- ✓ Male cardan bracket included.
- ✓ Heavy-duty motor/ring gear rotation.
- ✓ Cast steel or High Yield Strength steel upper structure.
- ✓ 2 vertical cylinders with rod guards.
- ✓ High-frequency treated pins.
- ✓ Anti-abrasion steel shells.



### General options:

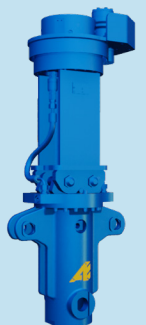
Different sealing levels depending on the product (see product sheet).

**Ejector:** allows easier ejection of sticky materials from handling and earthmoving buckets.



### Additional options for BA404 to BA553:

Quick piped extension with 1st extension pack and 1, 2 or 3-meter segments.



### Additional options for BA604 and BA704:

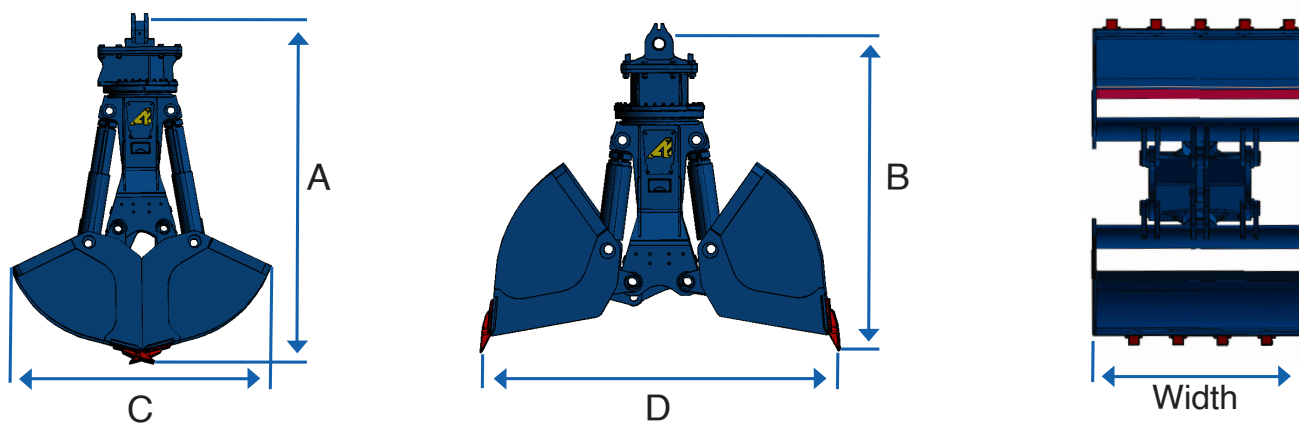
Autonomous centralized lubrication kit





**Arden Jet:** water spray system integrated into the tool.

Lifting rings on spreader beam or frame.



## Technical drawing - Earthmoving clamshells



|  | Reference       |  | A       | B       | C       | D       |  |  |         |           |
|---|-----------------|---|---------|---------|---------|---------|---|---|---------|-----------|
| t   | Upper structure | t   | mm      | mm      | mm      | mm      | bar max   | L min/max   | bar max | L min/max |
| 10 - 13   | BA303R062       | 6   | 1 810   | 1 463   | 1 457   | 1 633   | 350   | 40/75   | 100     | 5/10      |
| 14 - 19   | BA404R102       | 10  | 1 855   | 1 502   | 1 457   | 1 637   | 350   | 40/75   | 100     | 10/15     |
| 18 - 22   | BA453R102       | 10  | 1 915   | 1 534   | 1 514   | 1 704   | 350   | 40/75   | 100     | 10/15     |
| 23 - 30   | BA553R152       | 15  | 2 316   | 1 728   | 1 930   | 2 213   | 350   | 100/200   | 140     | 15/20     |
| 27 - 40   | BA604BR251-PP*  | 25  | 2 542   | 1 956   | 1 978   | 2 278   | 350   | 100/200   | 140     | 15/20***  |
| 39 - 53   | BA704R301-PP*   | 30  | 3 166** | 2 275** | 2 517** | 2 848** | 350   | 100/200   | 140     | 15/20     |

\*PP: low profile

\*\*data without teeth

\*\*\*in the case of the 2-motor version, the rotation flow rate is 20 / 30 L/min

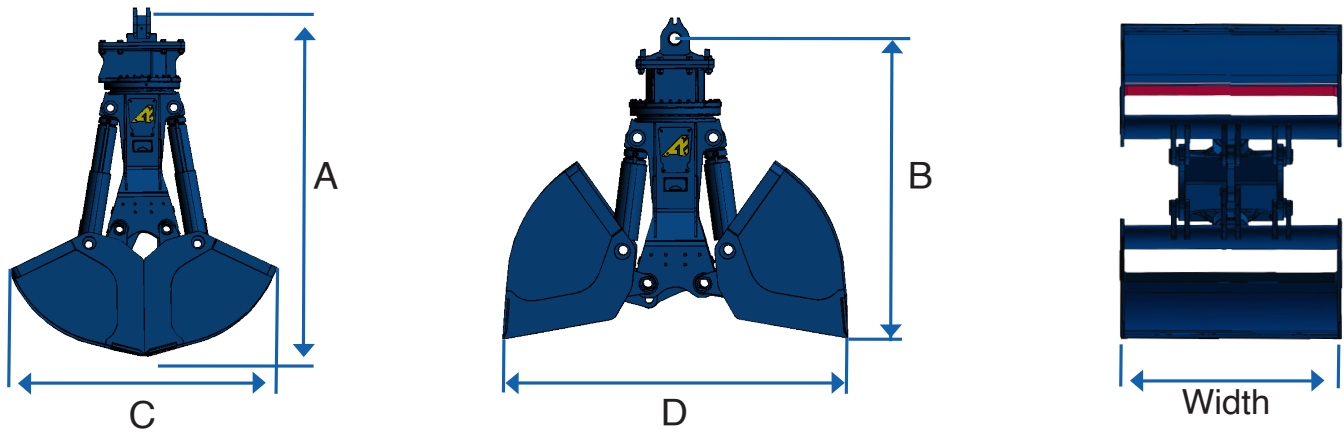
| Shell set   |               | Earthmoving |          |          |       |       |       |     |       |
|-------------|---------------|-------------|----------|----------|-------|-------|-------|-----|-------|
| BA303       | Width (mm)    | 305         | 400      | 500      | 600   | 700   | 800   | 900 |       |
|             | Capacity (L)  | 145         | 200      | 250      | 305   | 360   | 415   | 470 |       |
|             | Weight (kg)** | 497         | 498      | 531      | 552   | 584   | 612   | 645 |       |
| BA404       | Width (mm)    | 305         | 400      | 500      | 600   | 700   | 800   | 900 |       |
|             | Capacity (L)  | 145         | 200      | 250      | 305   | 360   | 415   | 470 |       |
|             | Weight (kg)** | 615         | 616      | 649      | 670   | 702   | 730   | 763 |       |
| BA453       | Width (mm)    | 300         | 400      | 500      | 600   | 700   | 800   | 900 | 1 000 |
|             | Capacity (L)  | 175         | 240      | 305      | 370   | 435   | 500   | 560 | 625   |
|             | Weight (kg)** | 737         | 712      | 747      | 772   | 847   | 872   | 907 | 937   |
| BA553       | Width (mm)    | 400         | 500      | 600      | 800   | 1 000 | 1 200 |     |       |
|             | Capacity (L)  | 350         | 450      | 550      | 750   | 950   | 1 150 |     |       |
|             | Weight (kg)** | 1 318       | 1 383    | 1 423    | 1 504 | 1 668 | 1 748 |     |       |
| BA604 - PP* | Width (mm)    | 1 000       | 1 300    | 1 600    |       |       |       |     |       |
|             | Capacity (L)  | 950         | 1 250    | 1 550    |       |       |       |     |       |
|             | Weight (kg)** | 1 606***    | 1 722*** | 1 851*** |       |       |       |     |       |
| BA704 - PP* | Width (mm)    | 1 500       | 1 600    | 1 700    |       |       |       |     |       |
|             | Capacity (L)  | 2 540       | 2 710    | 2 890    |       |       |       |     |       |
|             | Weight (kg)** | 3 197       | 3 262    | 3 325    |       |       |       |     |       |

\*PP: low profile

\*\*upper structure + shell set + cardan

\*\*\*in the case of the 2-motor version, the weight is + 30kg

## Technical drawing - Handling clamshells



| t       | Reference       | t  | A     | B     | C     | D     | Key     |           | 360°    |           |
|---------|-----------------|----|-------|-------|-------|-------|---------|-----------|---------|-----------|
|         |                 |    |       |       |       |       | bar max | L min/max | bar max | L min/max |
| 14 - 19 | BA404R102       | 10 | 1 768 | 1 385 | 1 457 | 1 514 | 350     | 40/75     | 100     | 10/15     |
| 18 - 22 | BA453R102       | 10 | 1 936 | 1 457 | 1 713 | 1 763 | 350     | 40/75     | 100     | 10/15     |
| 23 - 30 | BA553R152       | 15 | 2 241 | 1 617 | 1 930 | 2 008 | 350     | 100/200   | 140     | 15/20     |
| 27 - 40 | BA604BR251-MP*  | 25 | 2 610 | 1 874 | 2 175 | 2 456 | 350     | 100/200   | 140     | 15/20**   |
| 27 - 40 | BA604BR251-GP*  | 25 | 2 794 | 1 904 | 2 462 | 2 823 | 350     | 100/200   | 140     | 15/20**   |
| 39 - 53 | BA704R301 - MP* | 30 | 3 268 | 2 284 | 2 691 | 3 051 | 350     | 100/200   | 140     | 15/20     |
| 39 - 53 | BA704R301 - GP* | 30 | 3 420 | 2 298 | 2 951 | 3 354 | 350     | 100/200   | 140     | 15/20     |

\*MP: Medium Profile, GP: Large Profile

\*\*in the case of the 2-motor version, the rotation flow rate is 20 / 30 L/min

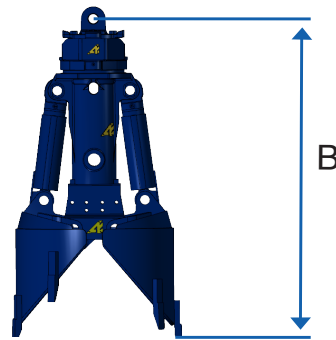
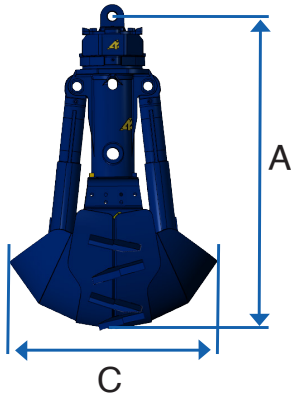
| Shell set   |               | Handling |          |          |       |       |       |       |       |       |       |       |
|-------------|---------------|----------|----------|----------|-------|-------|-------|-------|-------|-------|-------|-------|
| BA404       | Width (mm)    | 1 000    |          |          |       |       |       |       |       |       |       |       |
|             | Capacity (L)  | 525      |          |          |       |       |       |       |       |       |       |       |
|             | Weight (kg)** | 814      |          |          |       |       |       |       |       |       |       |       |
| BA453       | Width (mm)    | 1 200    |          |          |       |       |       |       |       |       |       |       |
|             | Capacity (L)  | 1 000    |          |          |       |       |       |       |       |       |       |       |
|             | Weight (kg)** | 1 011    |          |          |       |       |       |       |       |       |       |       |
| BA553       | Width (mm)    | 1 300    | 1 500    |          |       |       |       |       |       |       |       |       |
|             | Capacity (L)  | 1260     | 1 450    |          |       |       |       |       |       |       |       |       |
|             | Weight (kg)** | 1 788    | 1 889    |          |       |       |       |       |       |       |       |       |
| BA604 - MP* | Width (mm)    | 1 500    | 1 800    | 2 100    |       |       |       |       |       |       |       |       |
|             | Capacity (L)  | 1 850    | 2 230    | 2 600    |       |       |       |       |       |       |       |       |
|             | Weight (kg)** | 1 924*** | 2 065*** | 2 207*** |       |       |       |       |       |       |       |       |
| BA604 - GP* | Width (mm)    | 1 500    | 1 800    | 2 100    |       |       |       |       |       |       |       |       |
|             | Capacity (L)  | 2 540    | 3 070    | 3 590    |       |       |       |       |       |       |       |       |
|             | Weight (kg)** | 2 036*** | 2 185*** | 2 331*** |       |       |       |       |       |       |       |       |
| BA704 - MP* | Width (mm)    | 1 500    | 1 600    | 1 700    | 1 800 | 1 900 | 2 000 | 2 100 | 2 200 | 2 300 | 2 400 | 2 500 |
|             | Capacity (L)  | 2 990    | 3 190    | 3 400    | 3 600 | 3 810 | 4 010 | 4 210 | 4 420 | 4 620 | 4 830 | 5 030 |
|             | Weight (kg)** | 3 287    | 3 354    | 3 419    | 3 500 | 3 565 | 3 632 | 3 696 | 3 763 | 3 828 | 3 895 | 3 960 |
| BA704 - GP* | Width (mm)    | 1 500    | 1 600    | 1 700    | 1 800 | 1 900 | 2 000 | 2 100 | 2 200 | 2 300 | 2 400 | 2 500 |
|             | Capacity (L)  | 3 710    | 3 970    | 4 220    | 4 480 | 4 730 | 4 990 | 5 240 | 5 490 | 5 750 | 6 000 | 6 260 |
|             | Weight (kg)** | 3 435    | 3 502    | 3 571    | 3 654 | 3 723 | 3 792 | 3 860 | 3 927 | 4 248 | 4 317 | 4 384 |

\*MP: Medium Profile, GP: Large Profile

\*\*upper structure + shell set + cardan

\*\*\*in the case of the 2-motor version, the weight is + 30kg

## Technical drawing - Circular clamshells



Ø at teeth  
Ø at blade = Ø at teeth - 100mm

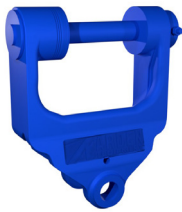
| t       | Reference | Ø at teeth | KG *  | A     | B     | C     | Capacity | 360°    |           | 360°    |           |
|---------|-----------|------------|-------|-------|-------|-------|----------|---------|-----------|---------|-----------|
|         |           | mm         |       | mm    | mm    | mm    |          | bar max | L min/max | bar max | L min/max |
| 14 - 19 | BA404     | 900        | 620   | 1 765 | 1 700 | 780   | 80       | 350     | 40/75     | 100     | 10/15     |
|         |           | 1 100      | 729   | 1 915 | 1 805 | 890   |          |         |           |         |           |
|         |           | 1 300      | 848   | 2 060 | 1 915 | 1 060 |          |         |           |         |           |
| 18 - 22 | BA453     | 900        | 620   | 1 765 | 1 700 | 780   | 80       | 350     | 40/75     | 100     | 10/15     |
|         |           | 1 100      | 729   | 1 915 | 1 805 | 890   |          |         |           |         |           |
|         |           | 1 300      | 848   | 2 060 | 1 915 | 1 060 |          |         |           |         |           |
|         |           | 1 500      | 860   | 1 823 | 1 527 | 1 165 |          |         |           |         |           |
| 23 - 30 | BA553     | 1 100      | 1 174 | 2 200 | 2 100 | 1 000 | 170      | 350     | 100/200   | 140     | 15/20     |
|         |           | 1 300      | 1 379 | 2 370 | 2 250 | 1 200 |          |         |           |         |           |

\*upper structure + shell set + cardan

## Associated hanger

Standard cast hanger  
N078M

Only:  
- BA404  
- BA453  
- BA553



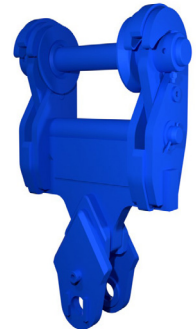
Standard hanger  
other models



Quick hanger



Automatic hanger



Technical data and visuals are non-contractual and subject to change without prior notice.



+33 (0)3 24 33 64 30

contact@arden-equipment.com

9 avenue de l'Industrie FR - 08000 Charleville-Mézières

www.arden-equipment.com

