

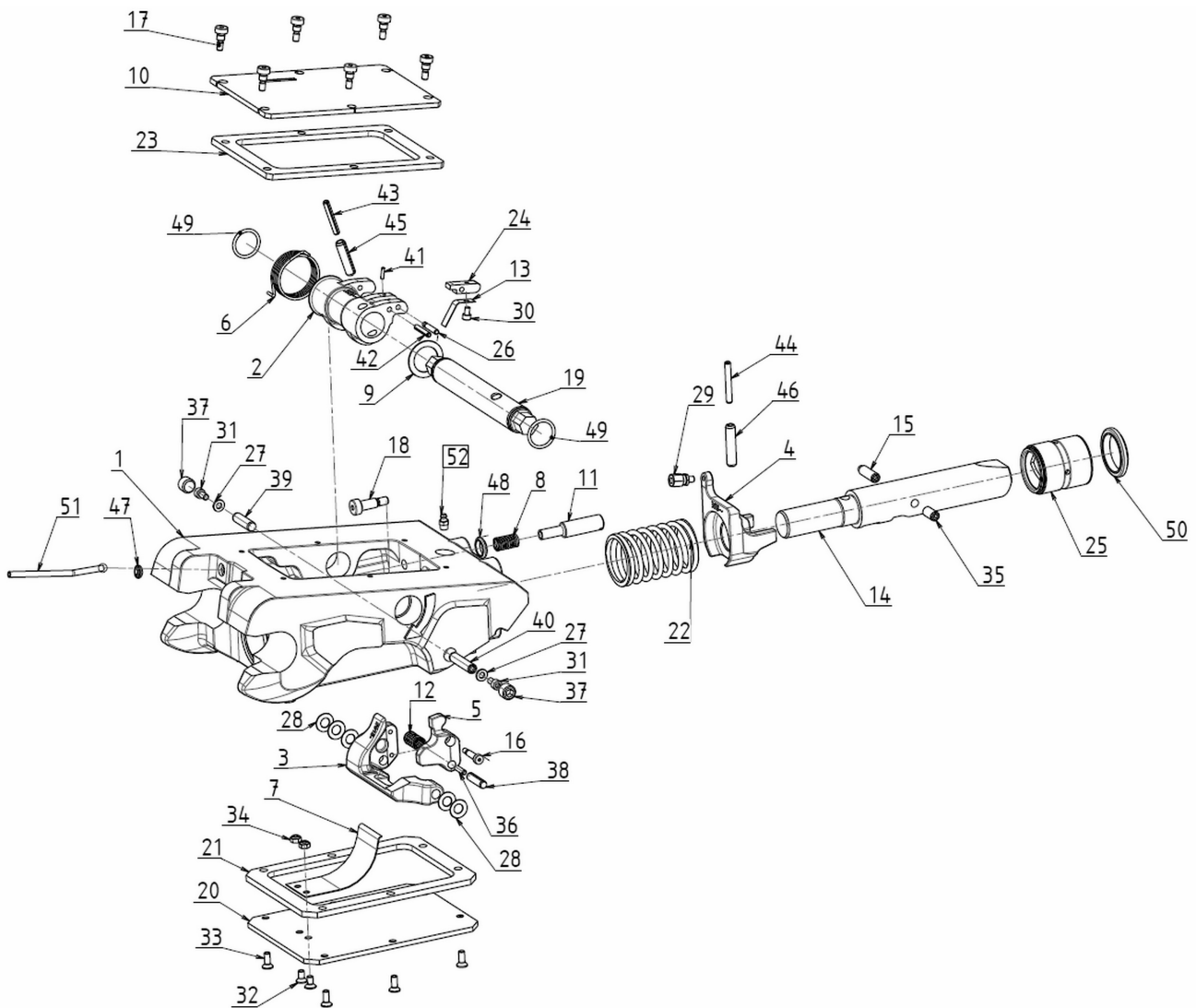
# Quick Coupler QA13M

Date of review: 12-janv.-26

Review: C

## Exploded view

QA13M\_C



FR - Monter le sous-ensemble ÉTIRER REP3+5+12+16+36+38  
 Appliquer du frein-filet sur les vis 16 + 36 + 38  
 Monter REP35 à +1 mm du verrou REP14  
 Mettre en appui le REP15 (cote par rapport au plat du verrou : 16 mm)  
 Montage de toutes les pièces filetées au frein-filet

ATTENTION IMPÉRATIVE : appliquer du frein-filet LOCTITE 243 sur les vis des capots

SK - Namontovať podzostavu VYSUNÚT REP3+5+12+16+36+38  
 Na skrutky 16 + 36 + 38 naniesť závitové lepidlo  
 Namontovať REP35 vo vzdialenosti +1 mm od uzamykacieho capu REP14  
 Nastaviť REP15 na doraz (rozmer vzhľadom na plochu uzamykacieho capu: 16 mm)  
 Všetky závitové diely montovať s použitím závitového lepidla

POVINNÉ UPOZORNENIE: na skrutky krytov použiť závitové lepidlo LOCTITE 243

UK - Assemble the subassembly EXTEND REP3+5+12+16+36+38  
 Apply threadlocker to screws 16 + 36 + 38  
 Install REP35 at +1 mm from locking pin REP14  
 Set REP15 against the stop (dimension relative to the flat of the locking pin: 16 mm)  
 All threaded parts must be assembled with threadlocker

MANDATORY WARNING: use LOCTITE 243 threadlocker on the cover screws

SP - Montar el subconjunto EXTENDER REP3+5+12+16+36+38  
 Aplicar fijador de roscas en los tornillos 16 + 36 + 38  
 Montar REP35 a +1 mm del cerrojo REP14  
 Apoyar REP15 (cota con respecto al plano del cerrojo: 16 mm)  
 Montaje de todas las piezas roscadas con fijador de roscas

ATENCIÓN OBLIGATORIA: aplicar LOCTITE 243 en los tornillos de las tapas

# Quick Coupler QA13M

Date of review: 12-janv.-26

Review: C

Pos	Part Number	Qty	Description	S/No - Remarks
01	X3697M-ENS	1	Frame	
02	X3686	1	Fork	
03	X3615	1	Spring stirrup	
04	X3687	1	Square	
05	X3706	1	Molded trigger	
06	X91257	1	Spring	
07	X91259	1	Spring	
08	X94758	1	Spring	
09	X91604-100	1	Shim ring	
10	X95143	1	Higher cap	
11	X94896	1	Probe	
12	X94226	1	Spring	
13	X94691	1	Spring	
14	X94686	1	Pin	
15	X94813	1	Stop screw	
16	X94673	1	Socket head capscrew	
17	X92117	6	Screw plug	
18	X94891	1	Socket head capscrew	
19	X91277	1	Fork pin	
20	X94307	1	Cover	
21	X94308	1	Cover seal	
22	X91258	1	Spring	
23	X91425	1	Cover seal	
24	X28352-005	1	Pusher cam	
25	X80207	1	Bushing	
26	X73938	1	Pin	
27	RP06	2	Flat washer	
28	RR10-020-05	5	Disc springs	
29	RAC30611	1	Threaded adapter	
30	CHC05-008C08	1	Socket head capscrew	
31	CHC06-012C12	2	Socket head capscrew	
32	FHC06-012C10	2	Hex socket Countersunk head screw	
33	FHC06-016C10	6	Hex socket Countersunk head screw	
34	HFR06	2	Self-locking nut	
35	HCPL10-020C10	1	Bolt	
36	HCPL05-018C10	1	Bolt	
37	HCPL16-012C10PF	2	Bolt	
38	GTC08-032	1	Parallel pin	
39	GTC10-036	1	Parallel pin	
40	GTC10-045	1	Parallel pin	
41	GE03-012	1	Spring-type straight pin	
42	GE05-030	1	Spring-type straight pin	
43	GE06-040	1	Spring-type straight pin	
44	GE06-045	1	Spring-type straight pin	
45	GE10-040	1	Spring-type straight pin	
46	GE10-045	1	Spring-type straight pin	
47	J30473	1	Wiper ring	
48	J30424	1	Wiper ring	
49	J30061	2	O-Ring	
50	J30003	1	Wiper ring	
51	FLEXQA13M	1	Safety indicator	
52	GM8	1	Grease nipple	