

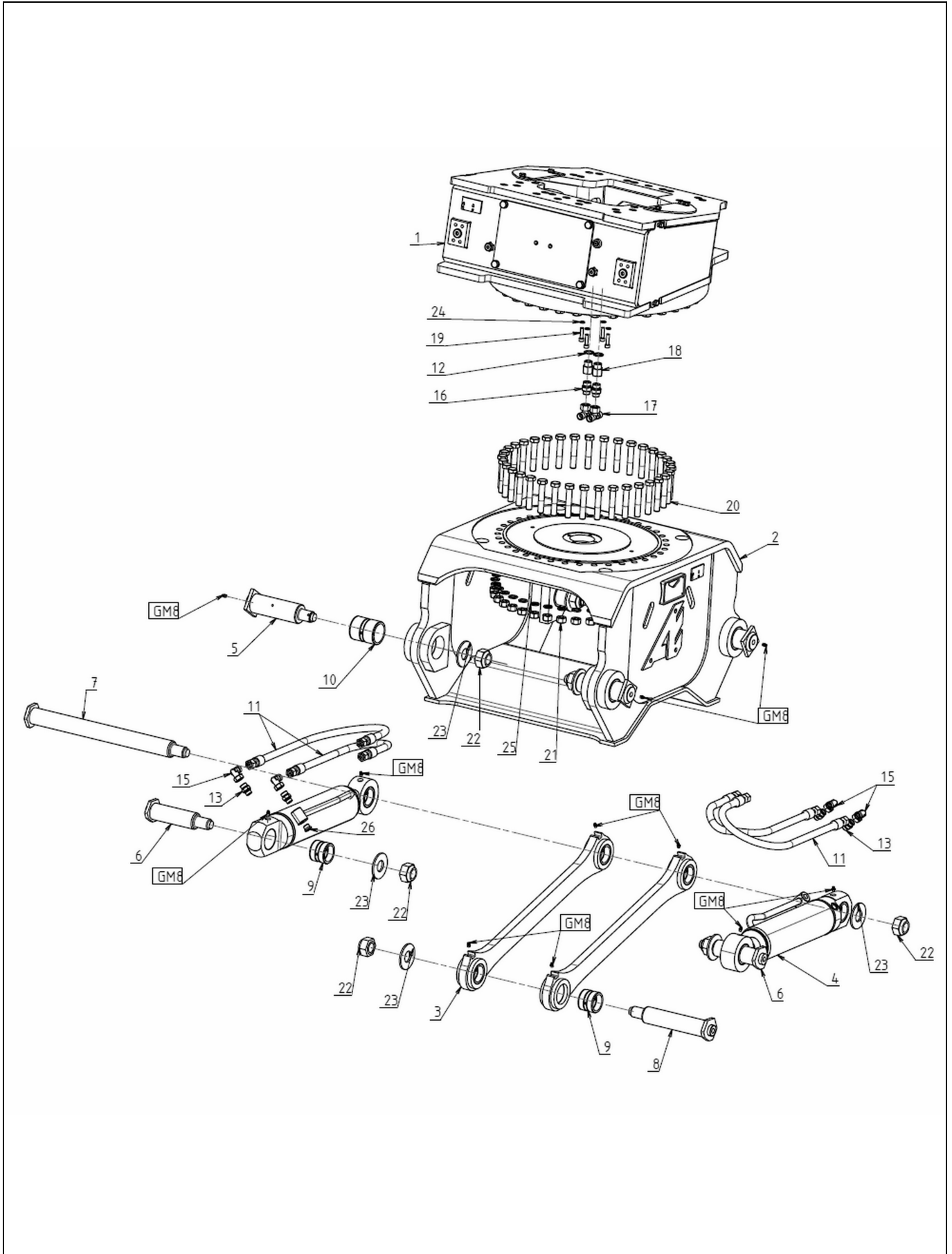
# Demolition/sorting grab structure S2304-R01

Date of review: 20-nov.-25

Review: A

Exploded view

S2304-R01\_A



# Demolition/sorting grab structure S2304-R01

Date of review: 20-nov.-25

Review: A

Pos	Part Number	Qty	Description	S/No - Remarks
01	RAE0452-2DE01	1	Rotation set	
02	X22139-500	1	Frame	
03	X20515-400	2	Link	
04	V1383	2	Cylinder	
05	X71703	4	Pin	
06	X72157	2	Pin	
07	X72158	1	Pin	
08	X72159	1	Pin	
09	X80002	8	Bushing	
10	X80051	4	Bushing	
11	FLEX3641	4	Hose	
12	J30027	2	Seal / Packing	
13	RAC30174	4	Threaded adapter	
15	RAC30245	4	Threaded adapter	
16	RAC30285	2	Threaded adapter	
17	RAC30315	2	T-Threaded adapter	
18	RAC30338	2	Connection	
19	CHC10-040C12	4	Socket head capscrew	
20	HM20-110C10	36	Hex head capscrew	
21	H20C10	36	Nut	
22	HFR39	8	Self-locking nut	
23	RP42-095-06	8	Flat washer	
24	RZ10	4	Lock washer	
25	RZ20	36	Lock washer	
26	RAC30111	2	Plug	
GM8	GM8	12	Grease nipple	
x	V1381-PJ		Seal Kit	

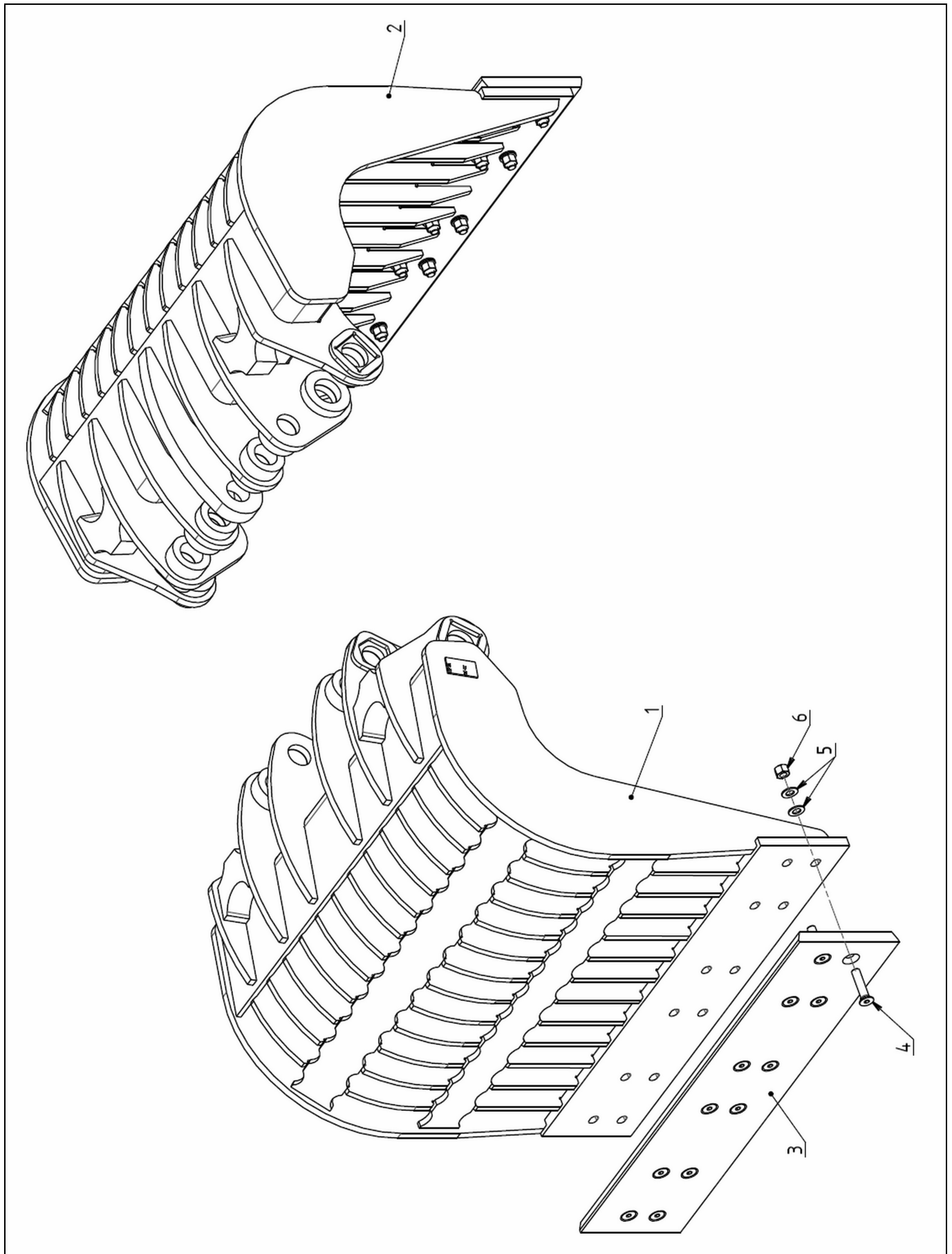
# Shells set JPS2301ABAR/JPS2304-BAR

Date of review: 15-févr.-23

Review: A

Exploded view

JPS2301ABAR\_A



# Shells set JPS2301ABAR/JPS2304-BAR

Date of review: 15-févr.-23

Review: A

Pos	Part Number	Qty	Description	S/No - Remarks
01	X31994-100	1	Jaw "A"	
02	X31994-200	1	Jaw "B"	
03	CLNU-95326	2	Bolt on blade	
04	FHC20-090C10	24	Hex socket Countersunk head scre	
05	RP20M	48	Flat washer	
06	HFR20C10M	24	Self-locking nut	
x	CLR-95326		Blade set	

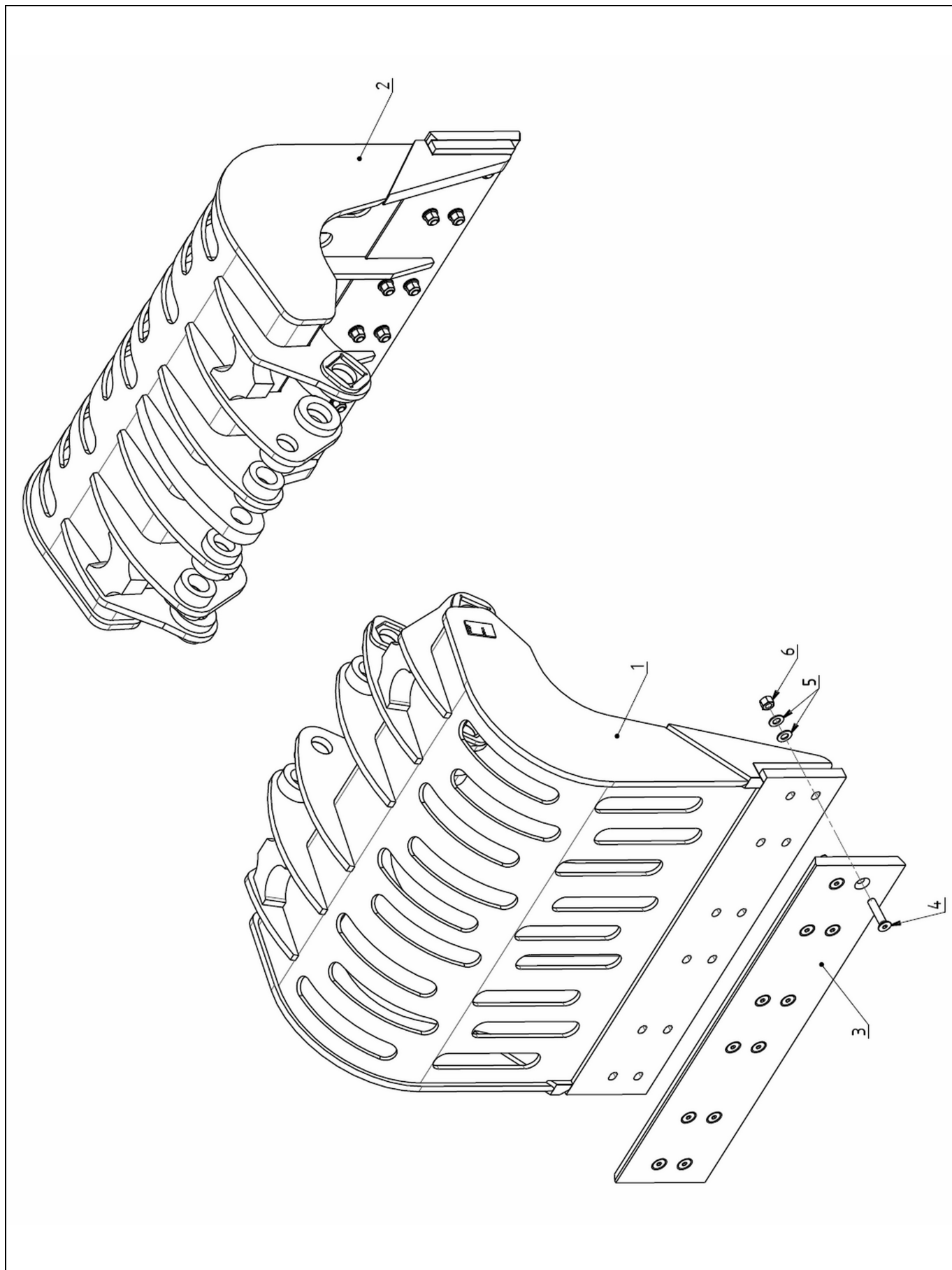
# Shells set JPS2301AFAP/JPS2304-FAP

Date of review: 15-févr.-23

Review: A

Exploded view

JPS2301AFAP\_A



# Shells set JPS2301AFAP/JPS2304-FAP

Date of review: 15-févr.-23

Review: A

Pos	Part Number	Qty	Description	S/No - Remarks
01	X31994-300	1	Jaw "A"	
02	X31994-400	1	Jaw "B"	
03	CLNU-95326	2	Bolt on blade	
04	FHC20-090C10	24	Hex socket Countersunk head scre	
05	RP20M	48	Flat washer	
06	HFR20C10M	24	Self-locking nut	
x	CLR-95326		Blade set	

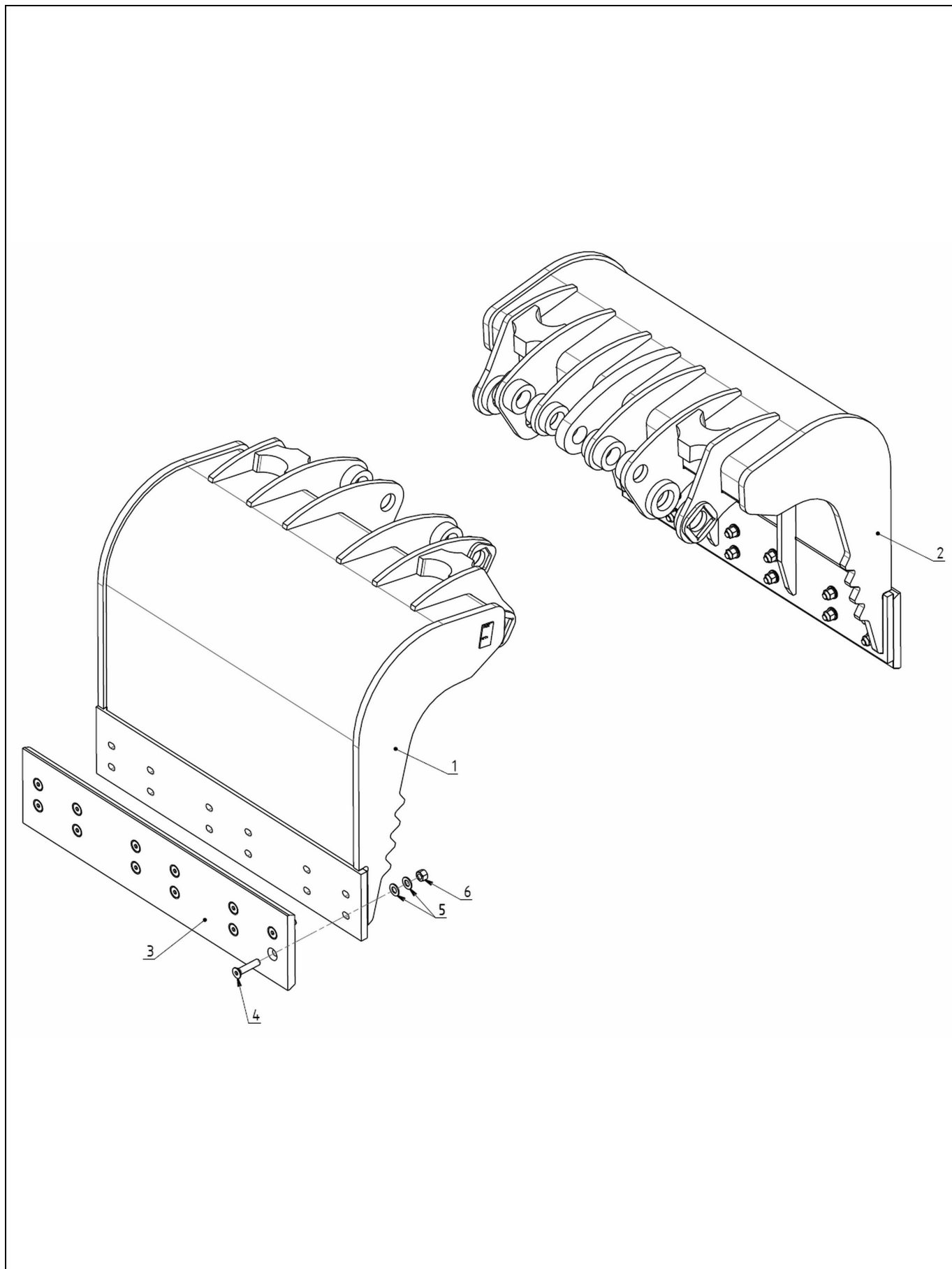
# Shells set JPS2304-PLEIN

Date of review: 21-nov.-25

Review: A

Exploded view

JPS2304-PLEIN\_A



# Shells set JPS2304-PLEIN

Date of review: 21-nov.-25

Review: A

Pos	Part Number	Qty	Description	S/No - Remarks
01	X31994-700	1	Jaw "A"	
02	X31994-800	1	Jaw "B"	
03	CLNU-95326	2	Bolt on blade	
04	FHC20-090C10	24	Hex socket Countersunk head scre	
05	RP20M	48	Flat washer	
06	HFR20C10M	24	Self-locking nut	
x	CLR-95326		Blade set	