

# HYDRAULIC QUICK HITCH AES NORDIC S-TYPE

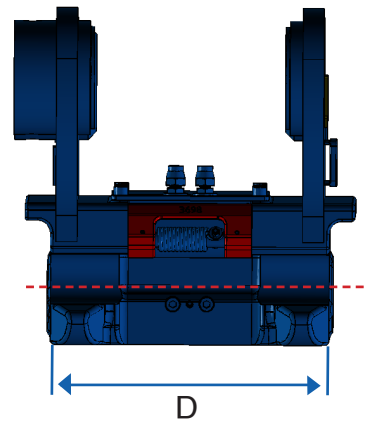
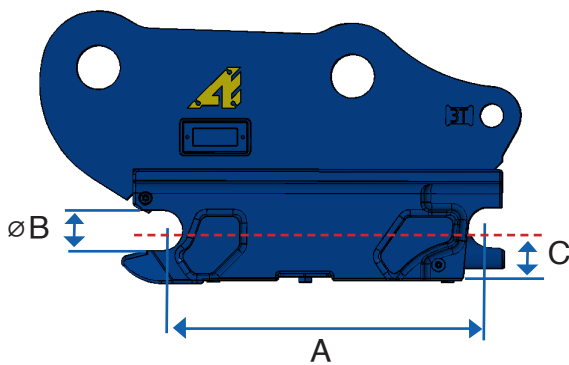


## A quick, easy and safe change.

The AES S-type quick hitch allows quick and easy attachment changes without leaving the cab.

Designed for 2 to 75-ton excavators, it is reversible and compatible with the Nordic S-standard.

It allows the use of a bucket in backhoe or shovel position for various applications: earthmoving, recycling, demolition...



t	Reference	KG Kg	A mm	B ø mm	C mm	D mm	Pressure		Flow rate	
							bar		l/min	
							min	max	min	max
2.6 - 6	AES040	42	300	40	50	198	150	250	5	15
6 - 12	AES045	100	430	45	65	288	150	350	5	15
6 - 12	AES050	100	430	50	65	268	150	350	5	15
12 - 20	AES060	160	480	60	80	338	150	350	5	15
20 - 27	AES070	300	600	70	100	448	150	350	5	15
27 - 37	AES080	460	670	80	115	588	150	350	5	15
38 - 75	AES090	800	750	90	125	748	150	350	5	15

\* Data, including weight, are provided for information purposes only. They may vary depending on the excavator adaptations.

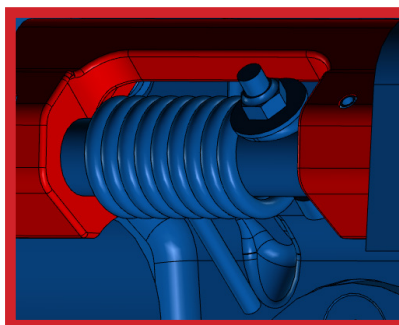
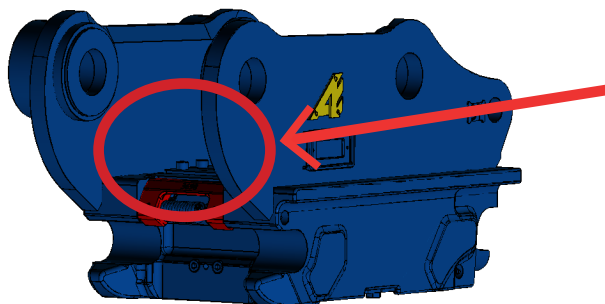


## Safety

On the AES hitch, the safety pallet serves as a locking indicator.

It is equipped with a check valve on the cylinder for maximum safety, an internal mechanism fully protected by bolted covers, and a cast or fabric-welded body.

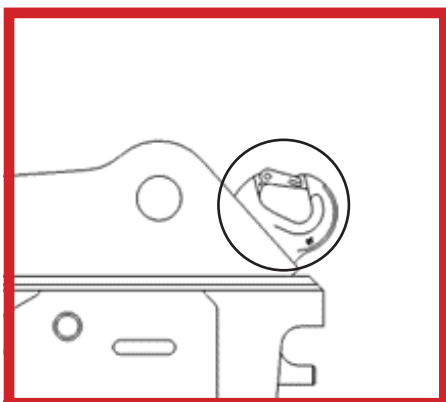
Thanks to the cast safety pallet and an automatic front pin holding pallet with spring and locking indicator, the hitch is guaranteed to comply with CE 2006/42/EC safety standards.



## Options

The AES quick hitch is available with various options.

### + Welded hook on operator side



### + Hydraulic circuit kit



Double-acting hydraulic line only



*Technical data and visuals are non-contractual and subject to change without prior.*

