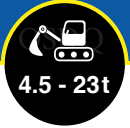


FULL DUMPING LOADER BUCKET



Adapted to your material handling needs

High-tip buckets are available for loaders from 4.5 to 23 tonnes. They are suitable for all applications requiring high-level dumping and are ideal for loading or handling low-density materials such as grain, compost, fertilizer, or waste.

Full-dump buckets come in various profiles and widths, depending on the loader and the type of material to be handled, ensuring fast and efficient filling. They are available with OEM couplings or quick couplings of the AEL type. A stability study will be carried out.



Bucket with flap – DI0501

Benefits

- ✓ 2 horizontal cylinders protected within profiled casings, ensuring excellent penetration.
- ✓ Progressive hydraulic end-of-stroke dampers for opening and closing on certain models.
- ✓ Mechanical stops at opening and closing positions for better tool protection.
- ✓ Grouped greasing points.
- ✓ 3-piece reversible bolted counter-blade in 500HB high strength steel.
- ✓ Protected hinge pins, removable from the outside.
- ✓ Reinforced body with wear strips on the bottom and sides made of anti-abrasion steel.
- ✓ Rubber stops at closing on certain models.

Options

- ✓ Deflectors
- ✓ Caps or grills
- ✓ Full body in 450HB
- ✓ Hose protection cover
- ✓ Autonomous centralized greasing system
- ✓ Flap only available for DI0501***

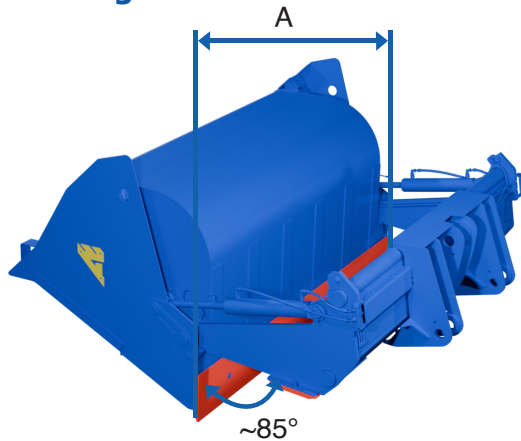
Adaptability

Robustness


Easy maintenance



Technical drawings




Carrying weight 4.5 - 7 t

t	Reference	KG	Width A	Body section	Capacity		
						bar	l/min
4.5 - 7	DI0200	810	1800	53	830	250	40
	DI0200	890	1800	108	1700	250	40
	DI0200	850	2000	53	940	250	40
	DI0200	940	2000	108	1900	250	40
	DI0200	890	2200	53	1040	250	40
	DI0200	1000	2200	108	2100	250	40

*These figures are provided for information purposes only and may vary depending on the configuration.




Carrying weight 7 - 11 t

t	Reference	KG	Width A	Body section	Capacity		
						bar	l/min
7 - 11	DI0301	1331	2400	93	2000	250	80
	DI0301	1368	2400	106	2260	250	80
	DI0301	1402	2400	120	2575	250	80
	DI0301	1452	2400	138	2960	250	80
	DI0301	1505	2400	160	3430	250	80
	DI0301	1400	2600	93	2166	250	80
	DI0301	1439	2600	106	2470	250	80
	DI0301	1474	2600	120	2820	250	80
	DI0301	1527	2600	138	3240	250	80
	DI0301	1583	2600	160	3750	250	80
	DI0301	1465	2800	93	2352	250	80
	DI0301	1506	2800	106	2685	250	80
	DI0301	1542	2800	120	3060	250	80
	DI0301	1596	2800	138	3515	250	80
	DI0301	1655	2800	160	4070	250	80

*These figures are provided for information purposes only and may vary depending on the configuration.
 Technical data and visuals are non-contractual and subject to change without prior notice.



Carrying weight 11 - 18 t

 t	Reference	 KG	Width A	Body section	Capacity	 Max. pressure Max. flow	
		Kg	mm	dm ²	Lt	bar	l/min
11 - 18	DI0401	1975	2600	129	2990	250	90
	DI0401	2008	2600	147	3400	250	90
	DI0401	2021	2600	160**	3685	250	90
	DI0401	2065	2600	166	3840	250	90
	DI0401	2116	2600	182	4240	250	90
	DI0401	2246	2600	215	4985	250	90
	DI0401	2061	2800	129	3250	250	90
	DI0401	2095	2800	147	3700	250	90
	DI0401	2110	2800	160**	4015	250	90
	DI0401	2155	2800	166	4170	250	90
	DI0401	2208	2800	182	4610	250	90
	DI0401	2344	2800	215	5415	250	90
	DI0401	2142	3000	129	3505	250	90
	DI0401	2177	3000	147	3990	250	90
	DI0401	2193	3000	160**	4350	250	90
	DI0401	2239	3000	166	4500	250	90
	DI0401	2294	3000	182	4970	250	90
DI0401	2434	3000	215	5845	250	90	

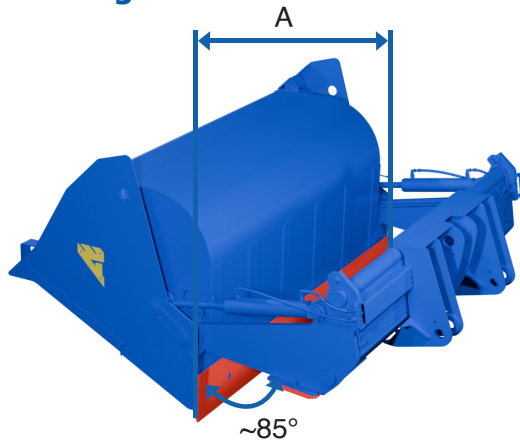
*These figures are provided for information purposes only and may vary depending on the configuration.

** Corresponds to 147dm² + the cap option






Technical data and visuals are non-contractual and subject to change without prior notice.

Technical drawings



Carrying weight 18 - 23 t

 t	Reference	 *	Width A	Body section	Capacity	 Max. pressure	Max. flow
		Kg	mm	dm ²	Lt	bar	l/min
18 - 23	DI0501	3109	3000	137	3590	250	200
	DI0501	3207	3000	151	4000	250	200
	DI0501	3290	3000	174	4700	250	200
	DI0501	3420	3000	200	5450	250	200
	DI0501	3639	3000	243	6700	250	200
	DI0501	3733	3000	274	7555	250	200
	DI0501	3840	3000	317	8788	250	200
	DI0501	3217	3200	137	3865	250	200
	DI0501	3317	3200	151	4200	250	200
	DI0501	3400	3200	174	5020	250	200
	DI0501	3535	3200	200	5800	250	200
	DI0501	3760	3200	243	7150	250	200
	DI0501	3857	3200	274	8103	250	200
	DI0501	3968	3200	317	9423	250	200
	DI0501	3335	3400	137	4140	250	200
	DI0501	3437	3400	151	4390	250	200
	DI0501	3525	3400	174	5320	250	200
	DI0501	3899	3400	243	7600	250	200
	DI0501	4000	3400	274	8650	250	200
	DI0501	4117	3400	317	10050	250	200
	DI0501AB**	3802	2700	137	3180	250	200
	DI0501AB**	4030	3000	137	3600	250	200
	DI0501ML	3075	2800	244	6000	250	200
DI0501ML	3225	2800	303	7500	250	200	
DI0501ML	3186	3000	244	6490	250	200	
DI0501ML	3353	3000	303	8104	250	200	
DI0501ML	3296	3200	244	6978	250	200	
DI0501ML	3468	3200	303	8710	250	200	

*These figures are provided for information purposes only and may vary depending on the configuration.

** Corresponds to 147dm² + the cap option

Technical data and visuals are non-contractual and subject to change without prior notice.



+33 (0)3 24 33 64 30

contact@arden-equipment.com

9 avenue de l'Industrie FR - 08000 Charleville-Mézières

www.arden-equipment.com

