

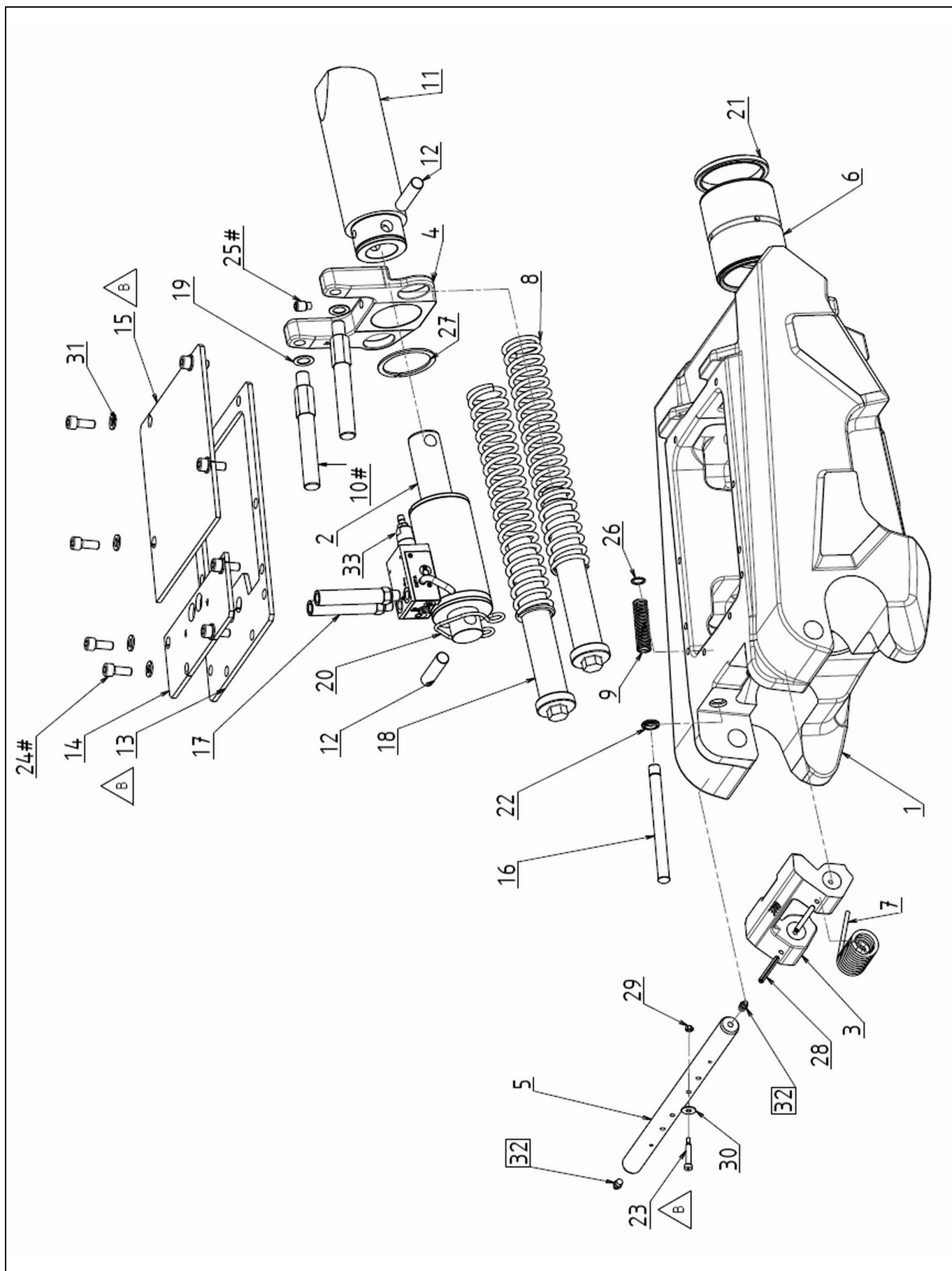
Quick Coupler QA53H

Date of review: 05-févr.-24

Review: B

Exploded view

QA53H_B



Quick Coupler QA53H

Date of review: 05-févr.-24

Review: B

Pos	Part Number	Qty	Description	S/No - Remarks
01	X2973H	1	Frame	
02	V1321-RP	1	Cylinder	
03	X3700	1	Security hook	
04	X3775	1	Spring stirrup	
05	X72977	1	Pin	
06	X80200	1	Bushing	
07	X94872	1	Spring	
08	X92031	2	Spring	
09	X94867	2	Spring	
10	X94877	2	Pin	
11	X91983	1	Pin	
12	X92049	2	Pin	
13	X94879	1	Cover seal	
14	X95495-100	1	Higher cap	
15	X95495-200	1	Higher cap	
16	X94873	2	Pin	
17	X94245-100	2	Connection	
18	X92019	2	Spring rod	
19	X94798-100	2	Shim ring	
20	X92102	1	Pin clamp	
21	J30073	1	Wiper ring	
22	J30475	2	Wiper ring	
23	X95563	1	Bolt	
24	CHC10-025C12	8	Socket head capscrew	
25	HCTL12-020C12	1	Locking screw	
26	CIR014E	2	Retaining ring for bore	
27	CIR065E	1	Retaining ring for bore	
28	GE06-045	2	Spring-type straight pin	
29	HFR05	1	Self-locking nut	
30	RP06L	1	Flat washer	
31	RP10	8	Flat washer	
32	GM8	3	Grease nipple	
33	CLAP30052	1	Choke valve	