

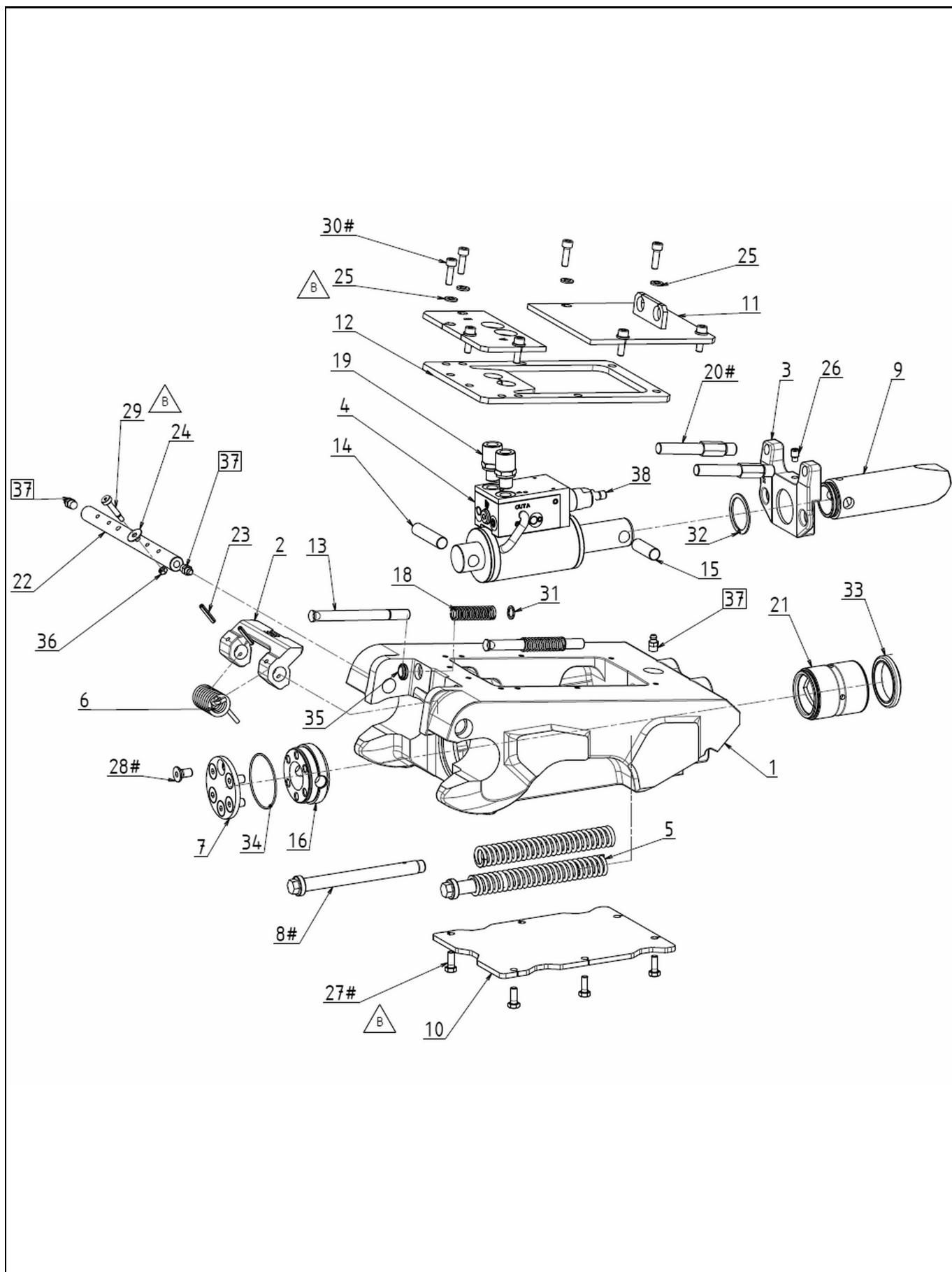
Quick Coupler QA13H

Date of review: 05-févr.-24

Review: B

Exploded view

QA13H_B



Quick Coupler QA13H

Date of review: 05-févr.-24

Review: B

Pos	Part Number	Qty	Description	S/No - Remarks
01	X3697H-ENS	1	Frame	
02	X3693	1	Security hook	
03	X3708	1	Spring stirrup	
04	V1276-RP	1	Cylinder	
05	X92028	2	Spring	
06	X94842	1	Spring	
07	X92002	1	Support ring	
08	X92016	2	Spring rod	
09	X91976	1	Pin	
10	X95485	1	Lower cap	
11	X95487	1	Hood	
12	X94849	1	Cover seal	
13	X94861	2	Pin	
14	X92045	1	Pin	
15	X92046	1	Pin	
16	X91998	1	Bushing	
17	X95486	1	Higher cap	
18	X94848	2	Spring	
19	X94245-025	2	Connection	
20	X94765	2	Pin	
21	X80207	1	Bushing	
22	X72972	1	Pin	
23	GE04-024	2	Spring-type straight pin	
24	RP05L	1	Flat washer	
25	RP06	8	Flat washer	
26	HCTL08-012C12	1	Locking screw	
27	HM06-016C08	6	Hex head capscrew	
28	FHC08-016C10	6	Hex socket Countersunk head screw	
29	X95549	1	Bolt	
30	CHC06-020C12	8	Socket head capscrew	
31	CIR010E	2	Retaining ring for bore	
32	CIR035E	1	Retaining ring for bore	
33	J30003	1	Wiper ring	
34	J30085	1	Seal / Packing	
35	J30423	1	Wiper ring	
36	HFR04	1	Self-locking nut	
37	GM8	3	Grease nipple	
38	CLAP30052	1	Choke valve	