



Robust grapples for efficient handling.

The G and GA grapple models are ideal for working with excavators from 11 to 90 tonnes.

As for the GP grapple, they are designed for excavators from 6 to 10 tons and for truck cranes from 8 to 24 T/m capacity. They integrate the cylinders within the tines.

With their reinforced tines and protected cylinder rods, the grapples are particularly resistant to even the most extreme working conditions.

This excellent strength can be shown through the improvement of the articulation pins by:

- ✓ High Frequency pins Hardening.
- ✓ Ringed joints.

The entire range offers steel frames with High Elastic Limit (HLE), as well as replaceable cast steel teeth for quick and easy maintenance.

Benefits

- ✓ Robust and reliable.
- ✓ Easy maintenance.
- ✓ GA452A with casted tines only for the model \varnothing 2 000 mm.
- ✓ Available in 3, 4 or 5 tines.
- ✓ Customizable types of tines : up to 4 core types depending on the application.
- ✓ The rotation benefits from a gear driven motor.
- ✓ Hose protection or full protection cage as standard.

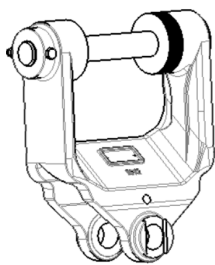


Options :

Reinforced tines or core depending on use only for GA452

Suspension links

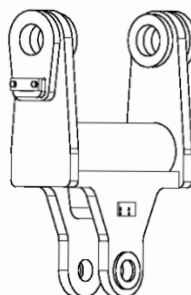
N078M Standard



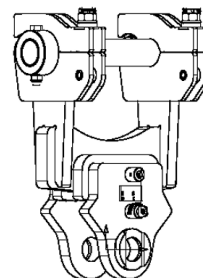
Only for :

- G0951
- GA452A

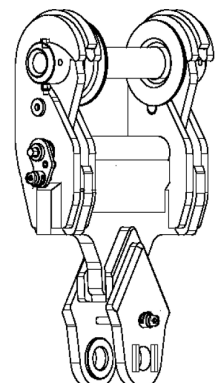
Other standard



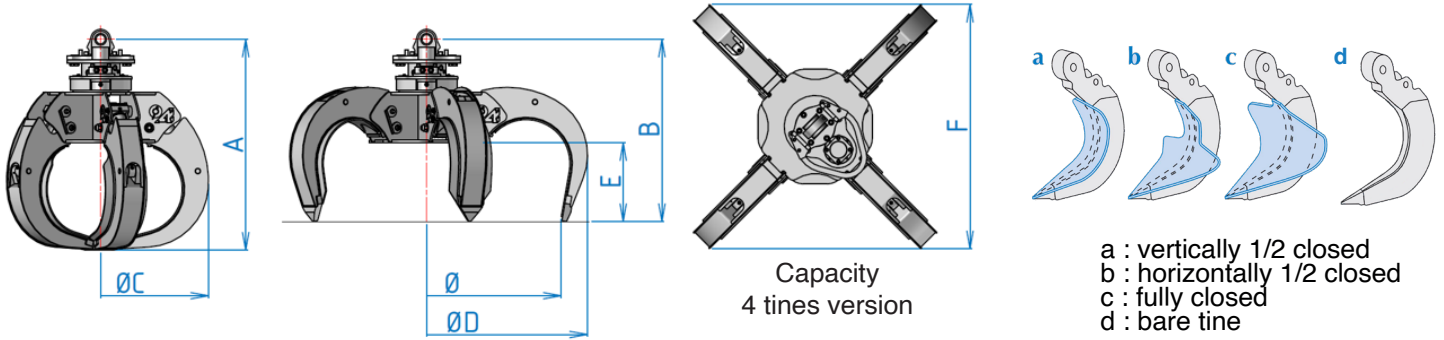
Quick release



Automatic



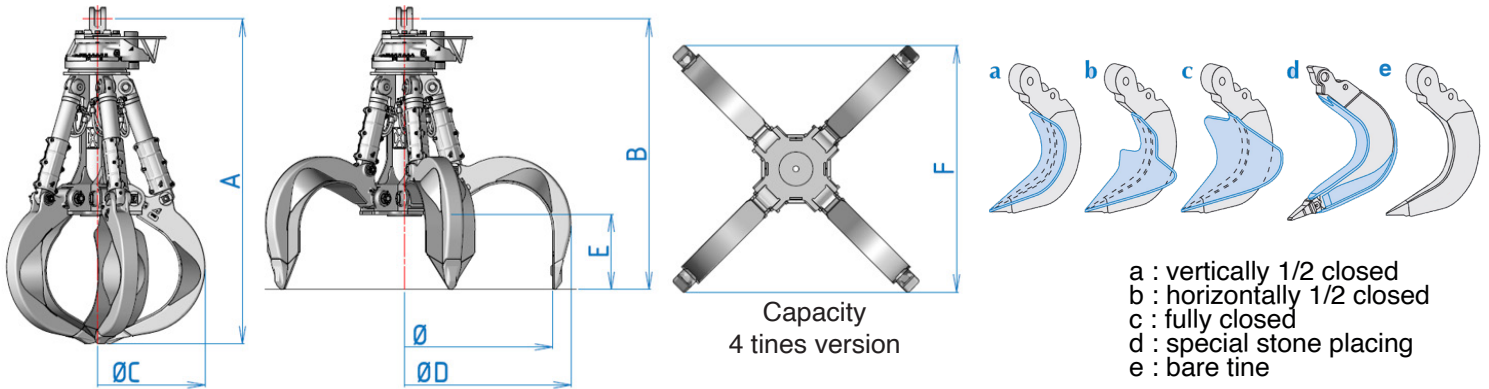
Model GP



T	T/m	Reference	Ø	l	min kg	max kg	T	T	A	B	ØC	ØD	E	F	360°			
															bar	l/mn	bar	l/mn
6-7	8-15	GP200	1500	270	410	515	4	4	1101	942	1196	1783	435	1350	300	25/55	320	3/5
8-10	16-24	GP251	1500	270	470	575	6	6	1166	1007	1196	1783	435	1350	300	25/55	140	5/10

The weights are given without suspension link, for grapples with 5 tines version.

Model G and GA



T	Reference	Ø	l	min kg	max kg	T	T	A	B	ØC	ØD	E	F	360°			
														bar	l/mn	bar	l/mn
11-15	G0951	1750	360	700	855	9	9	1620	1325	1342	1916	430	1430	350	45/95	250	7/10
16-24	GA452A	1800	400	1170	1370	15	15	2060	1760	1345	2140	460	1540	350	70/140	140	15/20
16-24	GA452A	2000	600	1280	1530	15	15	2170	1800	1450	2250	507	1660	350	70/140	140	15/20
16-24	GA452A	2200	800	1255	1585	15	15	2255	1840	1670	2465	545	1836	350	70/140	140	15/20
24-31	GA550	2200	800	1590	1945	-	20	2460	2070	1620	2500	545	1865	350	95/190	140	15/20
24-31	GA550	2400	1100	1645	2105	-	20	2570	2120	1780	2735	590	2030	350	95/190	140	15/20
31-45	G1852	2400	780	2550	3055	-	30	2630	2285	1770	2700	700	2080	350	145/285	140	20/30
31-45	G1852	2800	1075	2950	3455	-	30	2880	2410	1860	3140	830	2320	350	145/285	140	20/30
31-45	G1852	3000	1500	3040	3610	-	30	2993	2470	1968	3340	879	2461	350	145/285	140	20/30
46-53	G7082	3200	2200	3470	4190	-	30	3100	2540	2270	3570	780	2650	350	240/480	140	20/30
50-90	GA800	3620	3800	-	6220	-	40	3614	3066	2830	4122	949	-	300	200/300	140	25/35

The weights are given without suspension link, for grapples with 5 tines version.

Technical data and visuals are non-contractual and subject to change without prior notice.



+33 (0)3 24 33 64 30
 contact@arden-equipment.com
 9 avenue de l'Industrie FR - 08000 Charleville-Mézières
 www.arden-equipment.com

