

HYDRAULIC CONCRETE CRUSHER



Productivity and time saving for your demolition and recycling sites

Hydraulic concrete crusher models are perfect to work with excavators from 13 to 80 tons. With a large jaw opening, the Arden Equipment concrete crusher offers higher productivity than universal or dedicated attachments equipped with concrete jaws.

By allowing scrap metal to be recovered directly on the construction site, they will save significant amounts of time during your recycling tasks.



A closure kit can be installed on the BBH014, BBH020, and BBH031 to suit your waste types according to the desired shredding. The BBH are equipped as standard with a bar cutter inside the jaws close to the rotation axle.

Avantages

- ✓ Available with or without rotation for the the BBH014, BBH020, BBH031.
- ✓ Bolted, cast, and interchangeable demolition teeth with nut protectors, allowing for easy individual replacement on site.
- ✓ Inverted cylinders to protect the rod inside the frame. The supply is routed through the rod.
- ✓ High tooth force thanks to the oversized cylinder.

Options :

Booster

The BBH014, BBH020, BBH031 are available with the BOOSTER option, which allows to gain a multiplied force when the jaws are closing. It provides a better cycle time and help reducing energy consumption.

Speedvalve

The speedvalve can be installed on all crushers. It reduces the cycle time of opening and closing the jaws on the demolition tool.

Arden Jet

This option is available on all crushers. Water is sprayed at high pressure to reduce dust emissions on job sites.

Full plate

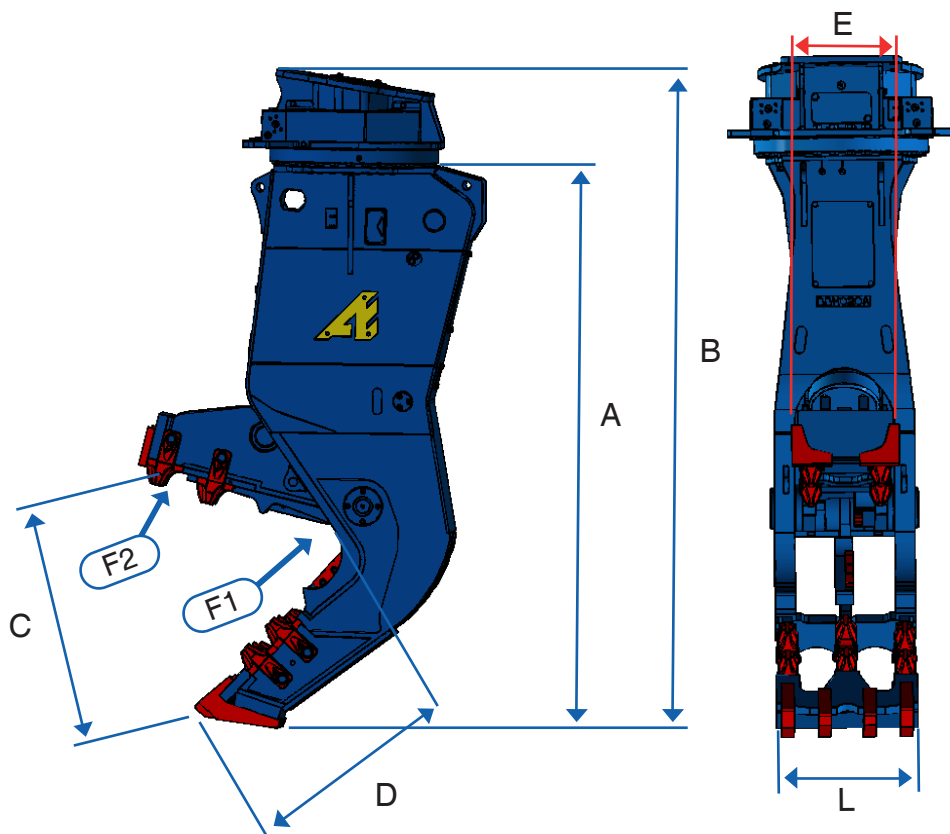
It is used to refine the granulometry.

Teeth

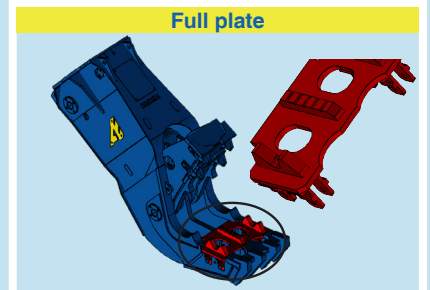
2 teeth on the BBH1300 frame can be fitted.



Technical parts



Options



t	Reference	KG	A	B	C	D	E	L	F1	F2	●	🔑		Cycle time with / without Speed Valve	360°	
												bar	l/mn		sec	bar
		Kg	mm	mm	mm	mm	mm	mm	t	t	mm	max	max		bar	min/max
13 - 22	BBH014	1433	1944	-	600	750	320	470	310	75	30	380	200	3.4/5.3	-	-
	BBH014 - BOOSTER	1420							328	79		330	180	-- / 3.2		
16 - 22	BBH014 - ROTATING	1797	-	2304	920	901	430	565	310	75	40	380	200	3.4/5.3	140	14/20
	BBH014 - BOOSTER ROTATING	1785							328	79		330	180	--/3.2		
18 - 32	BBH020	2150	2328	-	920	901	430	565	386	87	40	380	250	4.1/6.3	-	-
	BBH020 - BOOSTER	2100							409	92		330	250	--/3.3		
20 - 32	BBH020 - ROTATING	2550	-	2725	1031	1028	535	670	386	87	60	380	250	4.1/6.3	140	18/28
	BBH020 - BOOSTER ROTATING	2500							409	92		330	250	--/3.3		
24 - 39	BBH031	3230	2671	-	1031	1028	535	670	469	121	60	380	400	3.7/5.7	-	-
	BBH031 - BOOSTER	3180							496	128		330	300	--/3.4		
29 - 39	BBH031 - ROTATING	3820	-	3065	1031	1028	535	670	469	121	60	380	400	3.7/5.7	140	28/40
	BBH031 - BOOSTER ROTATING	3770							496	128		330	300	--/3.4		
35 - 45	BBH1000	3586	2619	-	960	820	484	720	280	76	40	350	400	3.5/5.2	-	-
45 - 65	BBH1300	5896	3346	-	1206	1381	575	840	520	150	60	350	400	6/9	-	-
55 - 80	BBH1300 - ROTATING	7600	-	4070											140	-

* Weight (+ or -3%) with bolted plate

** Weight of excavators : consult us for validation

The forces F1 and F2 are given at maximum pressure

Technical data and visuals are non-contractual and subject to change without prior notice.



+33 (0)3 24 33 64 30



contact@arden-equipment.com



9 avenue de l'Industrie FR - 08000 Charleville-Mézières



www.arden-equipment.com

