

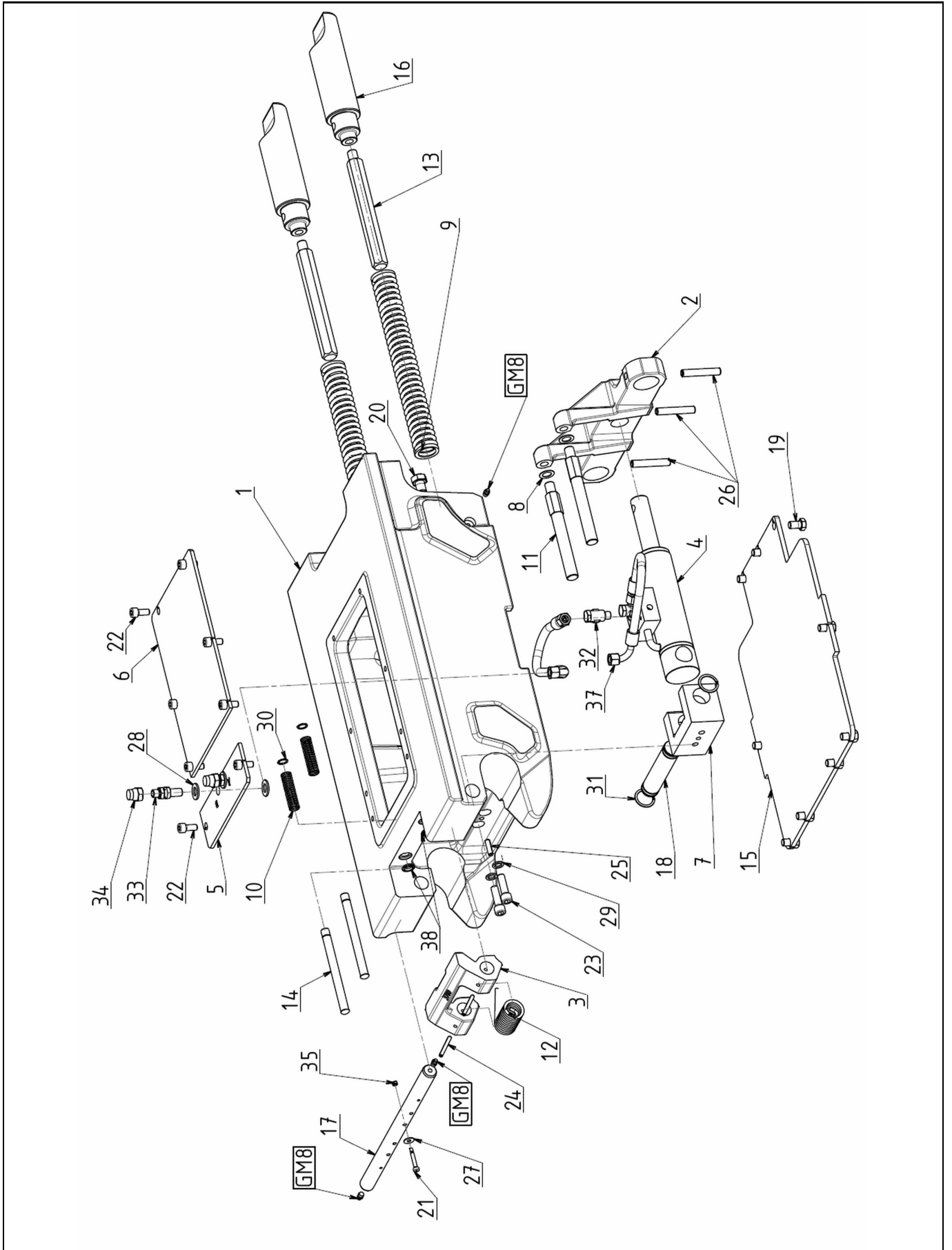
Quick Coupler AES070H

Date of review: 29-sept.-23

Review: A

Exploded view

AES070H_A



Quick Coupler AES070H

Date of review: 29-sept.-23

Review: A

Pos	Part Number	Qty	Description	S/No - Remarks
01	X3795	1	Frame	
02	X3794	1	Spring stirrup	
03	X3700	1	Security hook	
04	V1378	1	Cylinder	
05	X50756-300	1	Higher cap	
06	X50756-310	1	Higher cap	
07	X50756-450	1	Support	
08	X94798	2	Set washer	
09	X94145	2	Spring	
10	X94867	2	Spring	
11	X95413	2	Pin	
12	X94872	1	Spring	
13	X95239	2	Plate guidance	
14	X94873	2	Pin	
15	X95401	1	Lower cap	
16	X95179	2	Safety bolt	
17	X72977	1	Pin	
18	X73071	1	Pin	
19	HM12-020C08	9	Hex head capscrew	
20	HM16-020C10	2	Hex head capscrew	
21	X95563	1	Bolt	
22	CHC10-022C12	8	Socket head capscrew	
23	CHC12-040C12	2	Socket head capscrew	
24	GE06-045	2	Spring-type straight pin	
25	GE08-030	1	Spring-type straight pin	
26	GE12-070CX-S	3	Clamping sleeve	
27	RP06L	1	Flat washer	
28	RP14	4	Flat washer	
29	RZ12	2	Lock washer	
30	CIR014E	2	Retaining ring for bore	
31	CIR030E	2	Retaining ring for bore	
32	RAC30387	2	Threaded adapter	
33	RAC30555	2	Threaded adapter	
34	RAC30556	2	Plug	
35	HFR05	1	Self-locking nut	
37	FLEX3842	2	Hose	
38	J30475	2	Wiper ring	
GM8	GM8	4	Grease nipple	