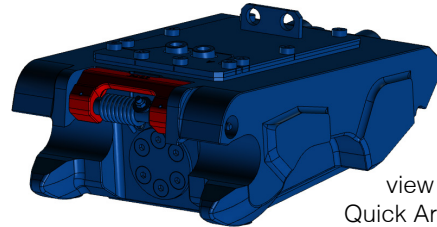


QA HYDRAULIC QUICK ARDEN QUICK HITCH



More safety for this new quick release range

The Quick Arden quick hitch system (QA) allows quick change of different attachments on a hydraulic excavator. These self-locking quick hitch are fitted to all excavators from 0.8 to 37 tonnes and meet current safety standards.

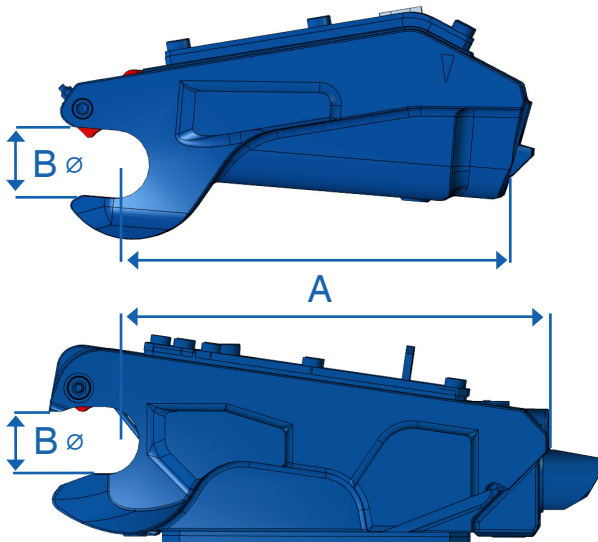


view from Quick Arden13-H

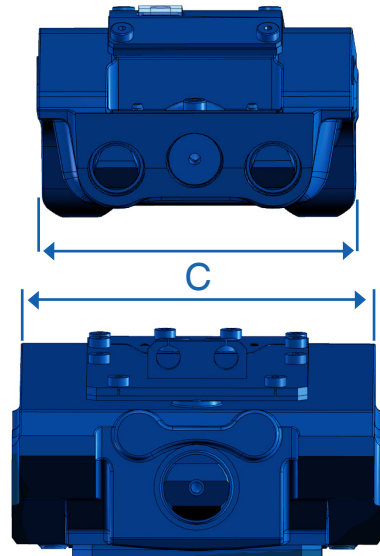
The hydraulic QA quick hitch are equipped with a safety paddle on the front axle.

Characteristics

- ✓ Compact
- ✓ Automatic game catch-up
- ✓ Compatible reversible buckets
- ✓ Handling hole for shackles



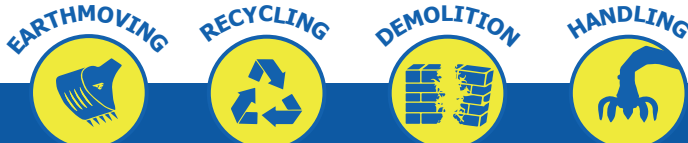
QA05-H



QA13-H
QA23-H
QA33-H
QA42AH
QA53-H
QA62BH

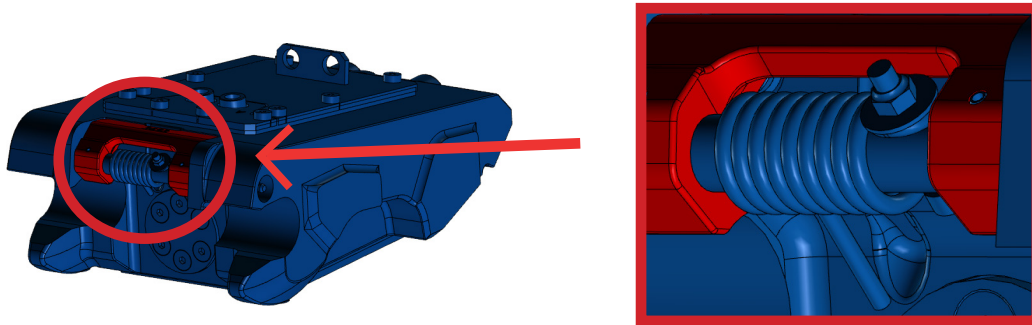
t	Reference	KG*	A*	B*	C*	Pressure		Flow rate	
						bar		l/min	
						min	max	min	max
0,8 - 3	QA05-H <small>simple circuit effect</small>	20	240	40	180	210	250	5	10
2,6 - 6	QA13-H	50	290	45	224,5	210	350	10	30
6 - 11	QA23-H	75	347	55	269,5	210	350	10	30
12 - 15	QA33-H	140	408	65	331,5	210	350	10	30
16 - 19	QA42AH	180	454	75	383,5	210	350	10	30
20 - 26	QA53-H	280	500	85	424,5	210	350	10	30
27 - 37	QA62BH	430	561	100	579,5	210	350	10	30

* The data, including weight, is provided for reference only and may vary depending on the adaptations on the excavator.



Security

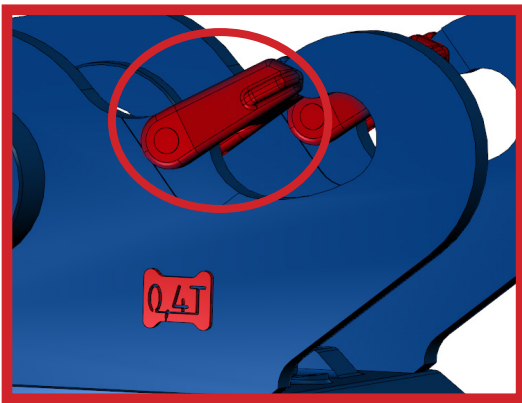
On the hydraulic QA quick hitch, the safety paddle serves as a locking indicator.



Options

Hydraulic Quick Arden (QA) are available with different options.

+ Hook with latch



+ Hydraulic control box



QA05H hydraulic line single effect
QA13H - QA62BH hydraulic line double effect

Standards

QA hydraulic quick couplings meet the following standards:

- ✓ EN 474-1:2022
- ✓ EN 474-(4&5):2022
- ✓ ISO 13031:2016
- ✓ EG Directive machines 2006/42/CE

