

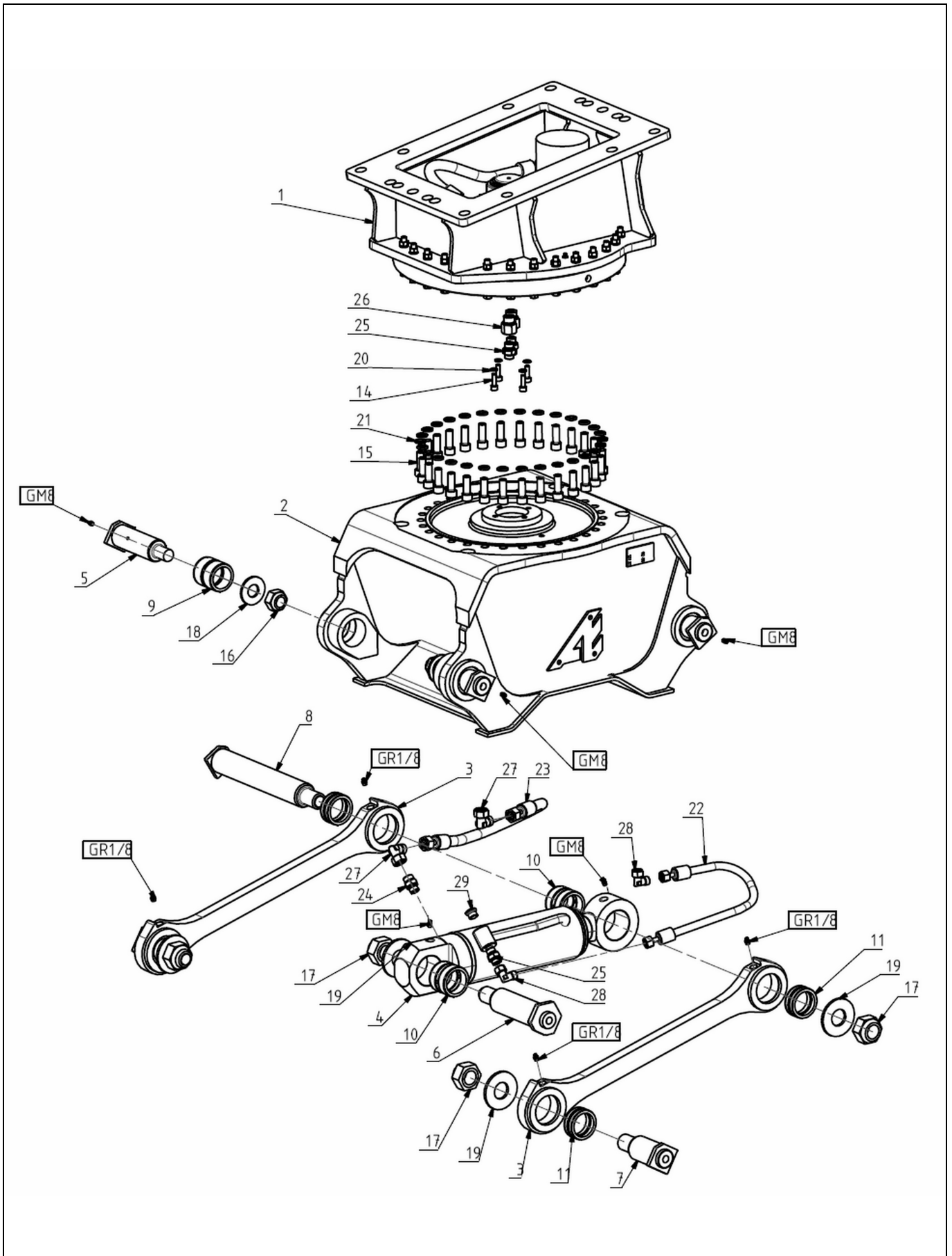
Demolition and sorting grab structure S0804-R01

Date of review: 16-janv.-25

Review: A

Exploded view

S0804-R01_A



Demolition and sorting grab structure S0804-R01

Date of review: 16-janv.-25

Review: A

Pos	Part Number	Qty	Description	S/No - Remarks
01	RAE0252-1DE01	1	Rotation set	
02	X27964-500	1	Frame	
03	X27932-400	2	Bar	
04	V1381	1	Cylinder	
05	X71453	4	Pin	
06	X72157	1	Pin	
07	X72324	2	Pin	
08	X72325	1	Pin	
09	X80258	4	Bushing	
10	X80002	2	Bushing	
11	X80500	4	Bushing	
14	CHC10-030C12	4	Socket head capscrew	
15	CHC16-045C12	30	Socket head capscrew	
16	HFR30	4	Self-locking nut	
17	HFR39	4	Self-locking nut	
18	RP32-070-05	4	Flat washer	
19	RP42-095-06	4	Flat washer	
20	RZ10	4	Lock washer	
21	RZ16	30	Lock washer	
22	FLEX3029	1	Hose	
23	FLEX3721	1	Hose	
24	RAC30174	2	Threaded adapter	
25	RAC30316	2	Threaded adapter	
26	RAC34530	2	Connection	
27	RAC30245	2	Threaded adapter	
28	RAC30318	2	Threaded adapter	
29	RAC30111	1	Plug	
GM8	GM8	6	Grease nipple	
GR	GR1/8	4	Grease nipple	
x	V1381-PJ		Seal Kit	

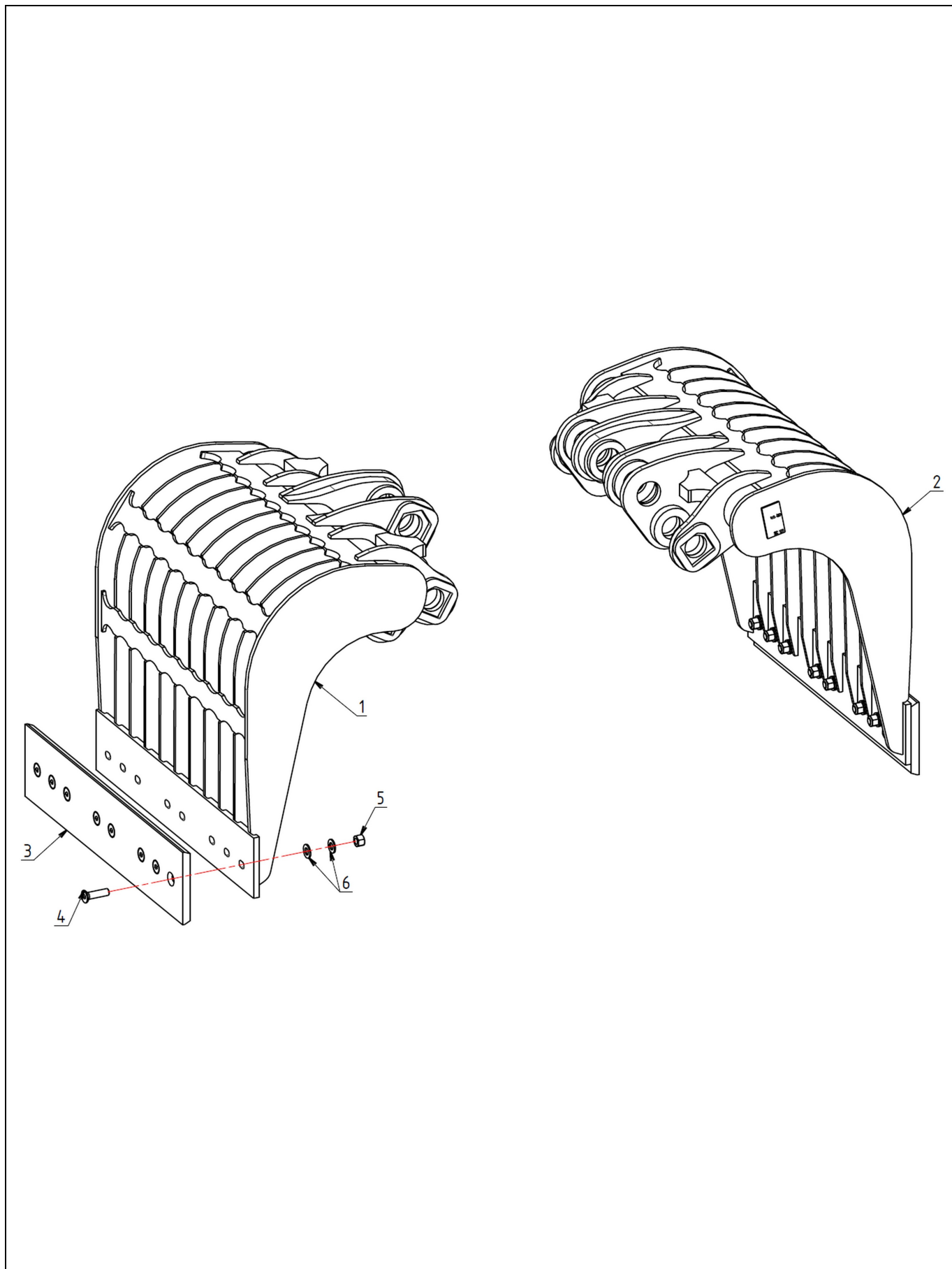
Shells set JPS0803ABAR/JPS0804-BAR

Date of review: 18-nov.-21

Review: A

Exploded view

JPS0803ABAR_A



Shells set JPS0803ABAR/JPS0804-BAR

Date of review: 18-nov.-21

Review: A

Pos	Part Number	Qty	Description	S/No - Remarks
01	X31244-100	1	Jaw "A"	
02	X31244-200	1	Jaw "B"	
03	CLNU-95077	2	Bolt on blade	
04	FHC16-060C10	16	Hex socket Countersunk head scre	
05	HFR16C10M	16	Self-locking nut	
06	RP16M	32	Flat washer	
x	CLR-95077		Blade set	

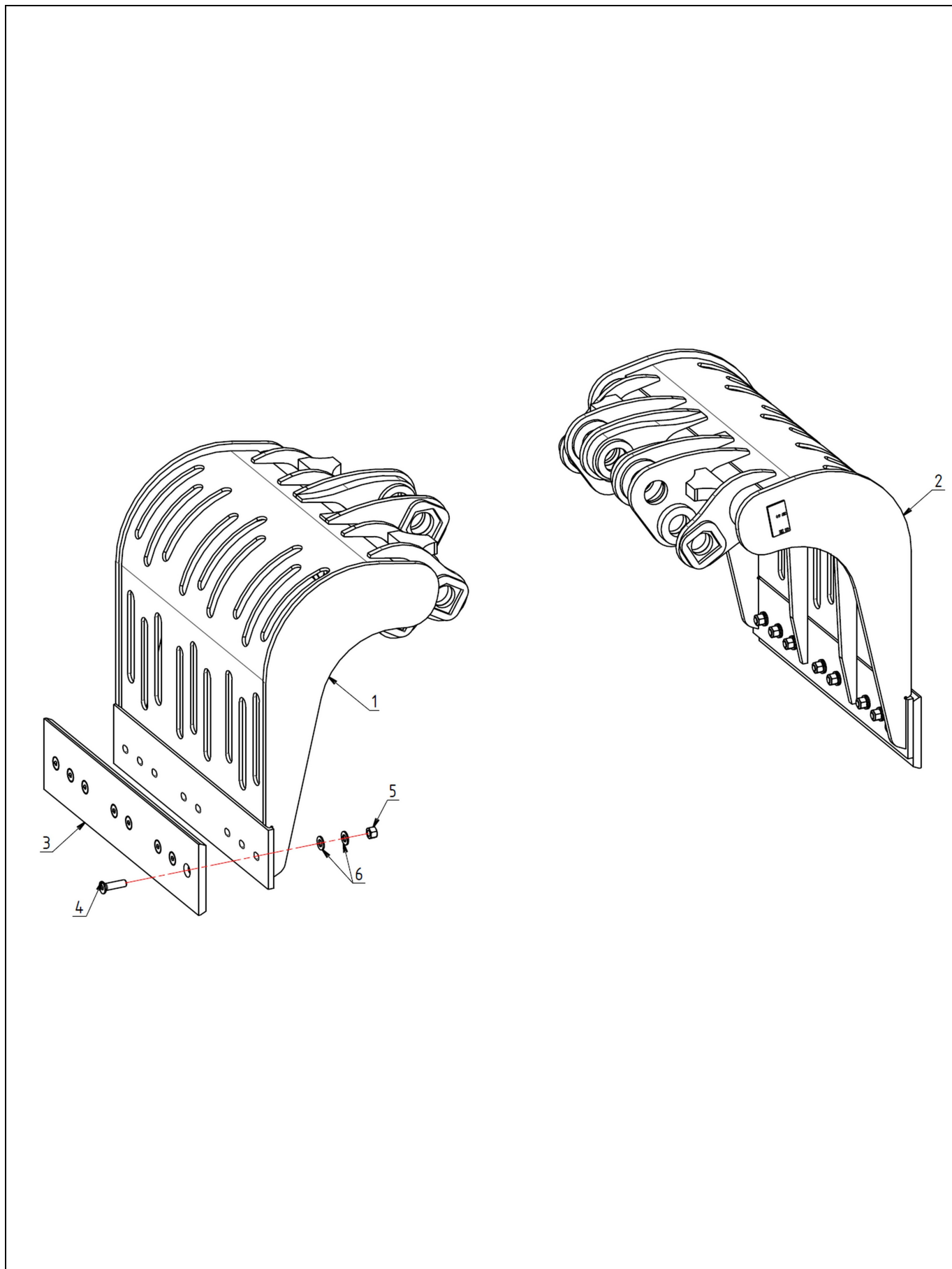
Shells set JPS0803AFAP/JPS0804-FAP

Date of review: 18-nov.-21

Review: A

Exploded view

JPS0803AFAP_A



Shells set JPS0803AFAP/JPS0804-FAP

Date of review: 18-nov.-21

Review: A

Pos	Part Number	Qty	Description	S/No - Remarks
01	X31244-300	1	Jaw "A"	
02	X31244-400	1	Jaw "B"	
03	CLNU-95077	2	Bolt on blade	
04	FHC16-060C10	16	Hex socket Countersunk head scre	
05	HFR16C10M	16	Self-locking nut	
06	RP16M	32	Flat washer	
x	CLR-95077		Blade set	

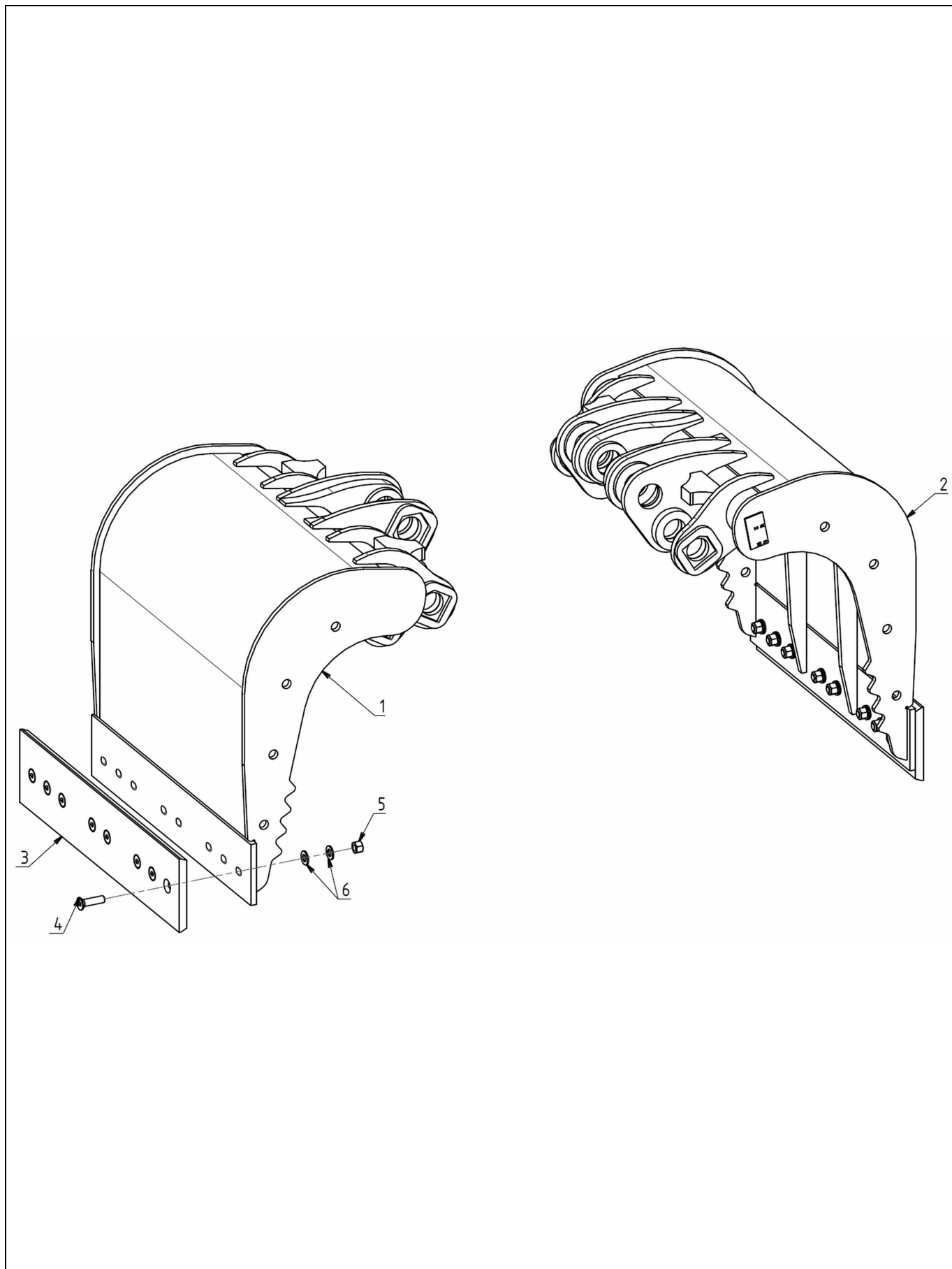
Shells set JPS0804-PLEIN

Date of review: 14-août-25

Review: A

Exploded view

JPS0804-PLEIN_A



Shells set JPS0804-PLEIN

Date of review: 14-août-25

Review: A

Pos	Part Number	Qty	Description	S/No - Remarks
01	X31244-700	1	Jaw "A"	
02	X31244-800	1	Jaw "B"	
03	CLNU-95077	2	Bolt on blade	
04	FHC16-060C10	16	Hex socket Countersunk head scre	
05	HFR16C10M	16	Self-locking nut	
06	RP16M	32	Flat washer	
x	CLR-95077		Blade set	