

AECW QUICK COUPLER SMALL - LARGE MECHANICAL & HYDRAULIC VERSIONS



A complete range at your service

The AECW range – CW-type quick coupler – is ideal for working with excavators from 0.8 to 65 tons.

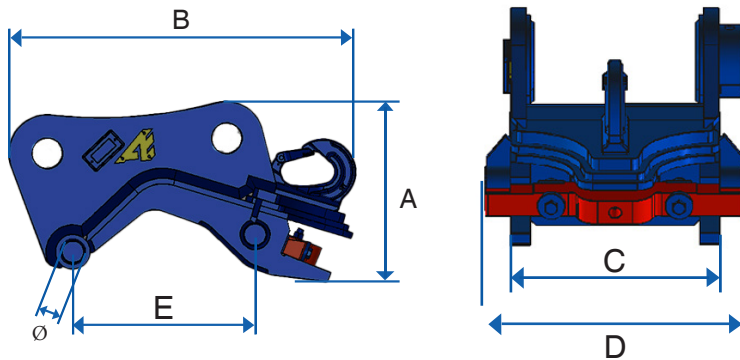
The AECW quick coupler fits buckets with a specific CW profile or with reversible coupler brackets.

All models are available in mechanical or hydraulic versions, except for the AECW45 and AECW55, which are only in hydraulic version.

AECW20 to AECW55 couplers are available in standard or small (S) versions.



Technical drawing



Characteristics

- ✓ Hydraulic or mechanical quick coupler.
- ✓ Coupler compatible with market standards.
- ✓ Retention wedge with safety spring, also serving as a visual lock indicator.
- ✓ Base in cast or welded steel, depending on the model.

Option :
Hydraulic kit

t	Reference	KG kg	A*	B*	C	D	E	Hydraulic		Minimum bucket width mm	Ø mm
								bar max	l/min		
0.8 - 3,5	AECW05	35	230	480	175	235	200	250	20/30	220	40
2,6 - 12	AECW10	110	350	640	310	390	300	250	20/30	370	50
12 - 16	AECW20/S	245/220	450	930	550/420	650/520	475	350	20/30	630	60
16 - 20	AECW30/S	275/250	450	930	550/420	650/520	475	350	20/30	640	60
20 - 31	AECW40/S	290/265	450	930	550/420	650/520	475	350	20/30	640	60
25 - 45	AECW45/S	500/400	560	1000	690/550	820/680	570	350	20/30	750	90
40 - 65	AECW55/S	800/700	670	1250	830/560	970/700	650	350	20/30	955	105

* The data, including weight, is given for reference only. It may vary depending on the excavator configuration.

Technical data and visuals are non-contractual and subject to change without prior notice.



+33 (0)3 24 33 64 30
 contact@arden-equipment.com
 9 avenue de l'Industrie FR - 08000 Charleville-Mézières
 www.arden-equipment.com

