

# QA HYDRAULIC QUICK ARDEN QUICK HITCH



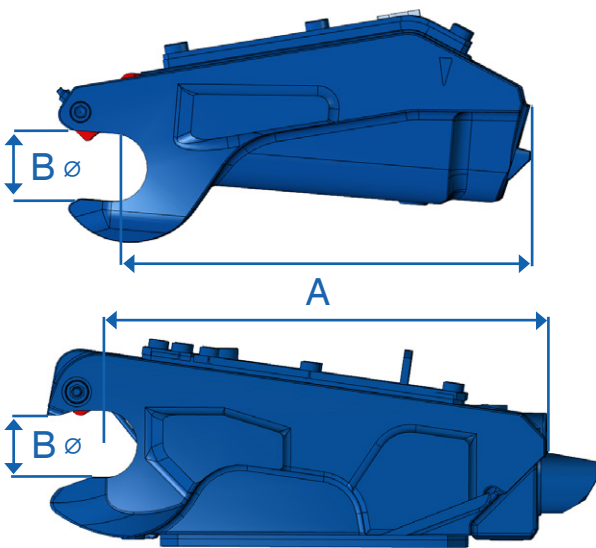
## More safety for this new quick release range

The **Quick Arden (QA)** quick hitch system allows **quick change of different attachments** on a hydraulic excavator or a backhoe loader.

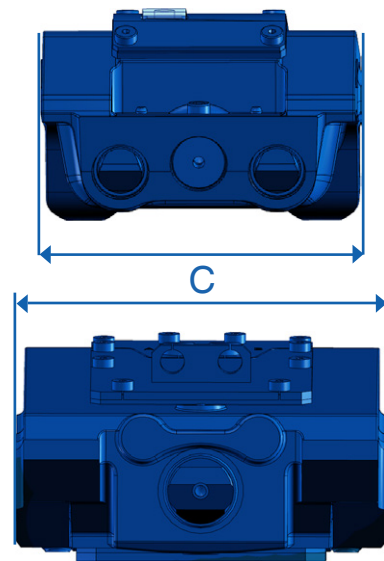
These self-locking quick hitches **are fitted to all excavators from 0.8 to 37 tons** and meet current safety standards.



View of a Quick Arden H



View of a QA05-H



View of  
QA13-H  
QA23-H  
QA33-H  
QA42AH  
QA53-H  
QA62BH

t	Reference	KG*	A	B	C	Pressure		Flow rate	
						bar		l/min	
						min	max	min	max
0,8 - 3,5	QA05-H**	25	240	40	180	70	250	5	10
2,6 - 6	QA13-H	50	290	45	224,5	210	350	10	30
6 - 12	QA23-H	75	347	55	269,5	210	350	10	30
12 - 16	QA33-H	140	408	65	331,5	210	350	10	30
16 - 20	QA42AH	180	454	75	383,5	210	350	10	30
20 - 27	QA53-H	280	500	85	424,5	210	350	10	30
27 - 37	QA62BH	430	561	100	579,5	210	350	10	30

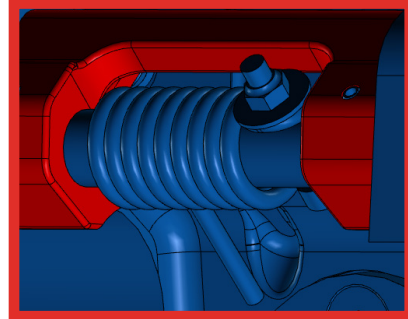
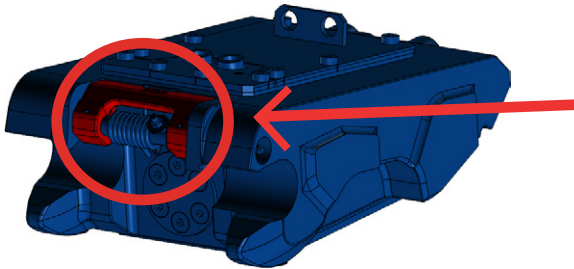
\* The data, including weight, is provided for reference only and may vary depending on the adaptations on the excavator.

\*\* Single effect circuit



## Features

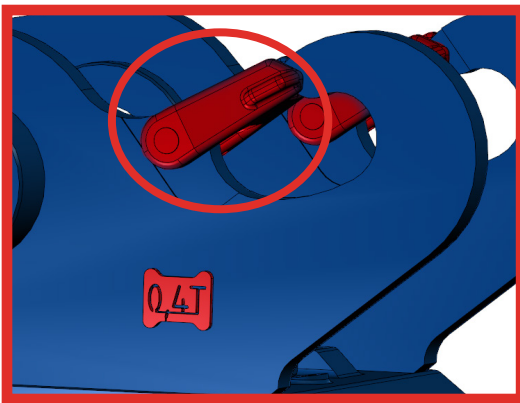
- ✓ Automatic play compensation
- ✓ Use in backhoe or shovel configuration depending on model
- ✓ Pressure reduction valve on the cylinder
- ✓ Handling hole for shackles
- ✓ Cast steel base and mechanism
- ✓ Security with locking paddle and indicator visible from the cab



## Options

Hydraulic Quick Arden (QA) are available with different options.

### + Integrated hook with latch



### + Hydraulic circuit kit



**QA05H** Single effect hydraulic line  
**QA13H - QA62BH** Double effect hydraulic line

## Standards

QA hydraulic quick hitches meet the following standards:

- ✓ EN 474-1:2022
- ✓ EN 474-(4&5):2022
- ✓ ISO 13031:2016
- ✓ EG Directive machines 2006/42/CE



*Technical data and visuals are non-contractual and subject to change without prior notice.*



+33 (0)3 24 33 64 30  
contact@arden-equipment.com  
9 avenue de l'Industrie FR - 08000 Charleville-Mézières  
www.arden-equipment.com

