

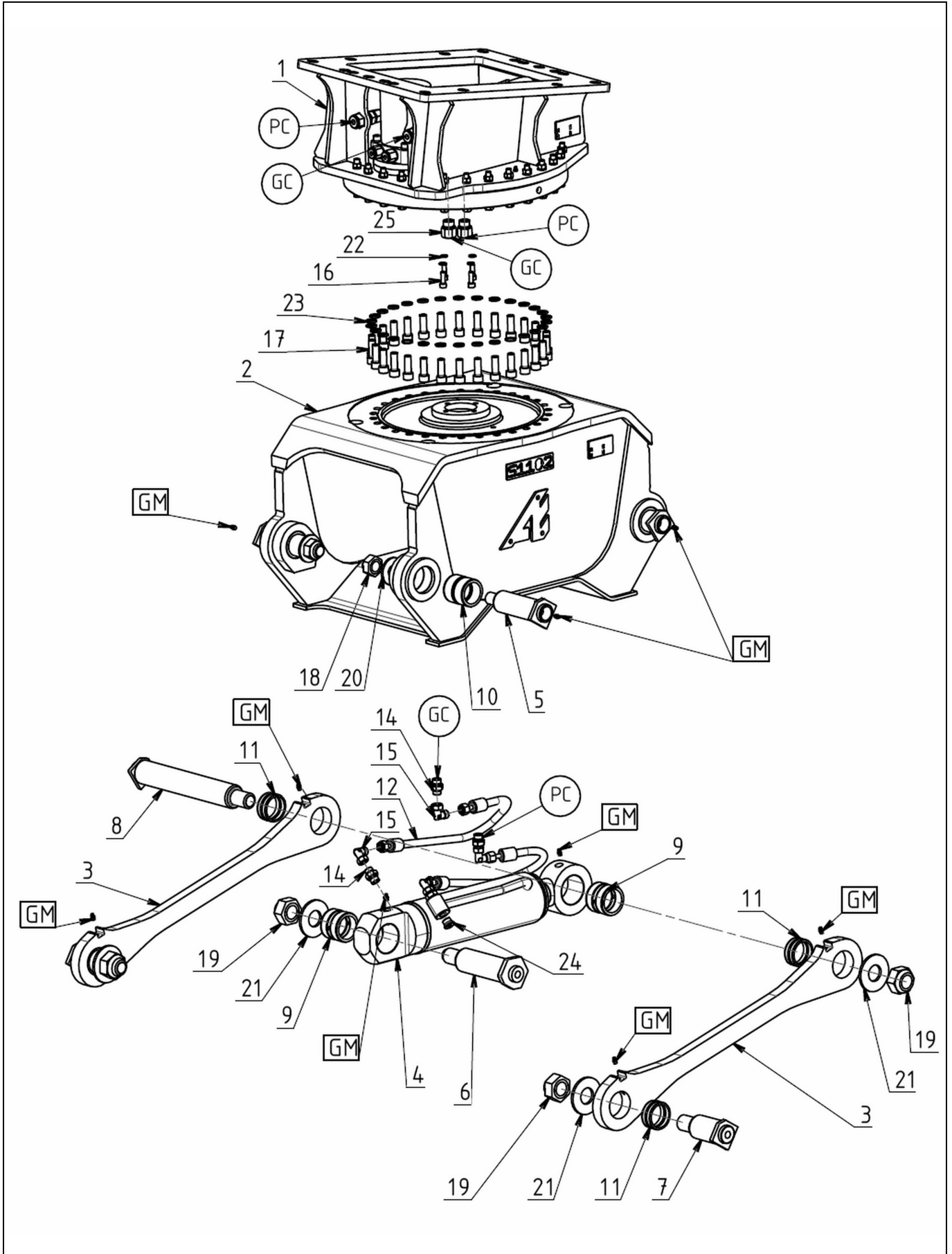
Demolition and sorting grab structure S1102CR01

Date of review: 29-sept.-25

Review: A

Exploded view

S1102CR01_A



Demolition and sorting grab structure S1102CR01

Date of review: 29-sept.-25

Review: A

Pos	Part Number	Qty	Description	S/No - Remarks
01	RAE0252-1DE01	1	Rotation set	
02	X24996-100	1	Frame	
03	X21954-400	2	Link	
04	V1382	1	Cylinder	
05	X71453	4	Pin	
06	X72157	1	Pin	
07	X72324	2	Pin	
08	X72325	1	Pin	
09	X80002	2	Bushing	
10	X80258	4	Bushing	
11	X80433	4	Bushing	
12	FLEX3029	2	Hose	
14	RAC30316	4	Threaded adapter	
15	RAC30318	4	Threaded adapter	
16	CHC10-030C12	4	Socket head capscrew	
17	CHC16-045C12	30	Socket head capscrew	
18	HFR30	4	Self-locking nut	
19	HFR39	4	Self-locking nut	
20	RP32-070-05	4	Flat washer	
21	RP42-095-06	4	Flat washer	
22	RZ10	4	Lock washer	
23	RZ16	30	Lock washer	
24	RAC30111	1	Plug	
25	RAC30347	2	Connection	
GM	GM8	10	Grease nipple	

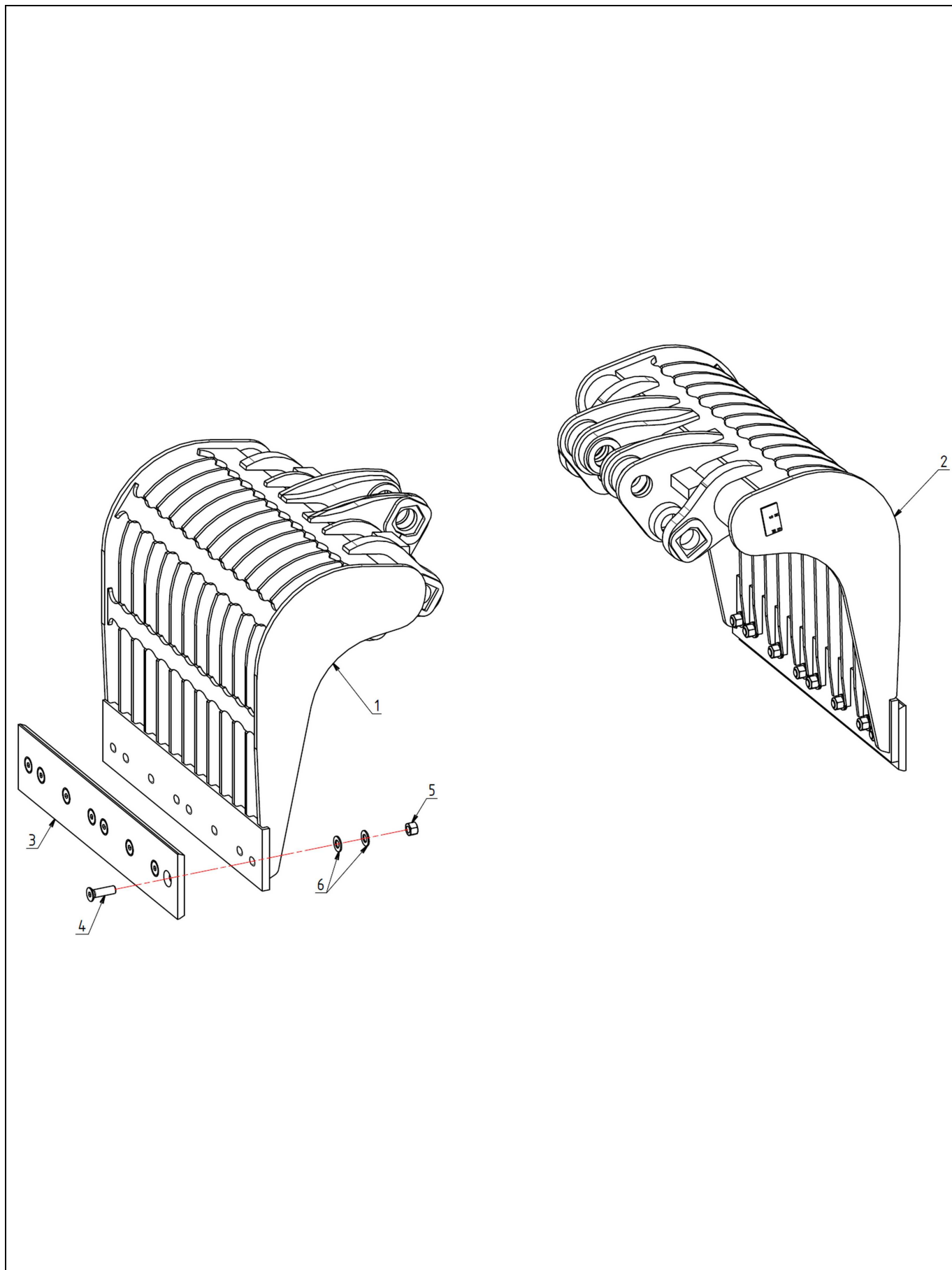
Shells set for JPS1102ABAR

Date of review: 22-nov.-21

Review: A

Exploded view

JPS1102ABAR_A



Shells set for JPS1102ABAR

Date of review: 22-nov.-21

Review: A

Pos	Part Number	Qty	Description	S/No - Remarks
01	X31251-100	1	Jaw "A"	
02	X31251-200	1	Jaw "B"	
03	CLNU-95078	2	Bolt on blade	
04	FHC20-070C10	16	Hex socket Countersunk head scre	
05	HFR20C10M	16	Self-locking nut	
06	RP20M	32	Flat washer	
x	CLR-95078		Blade set	

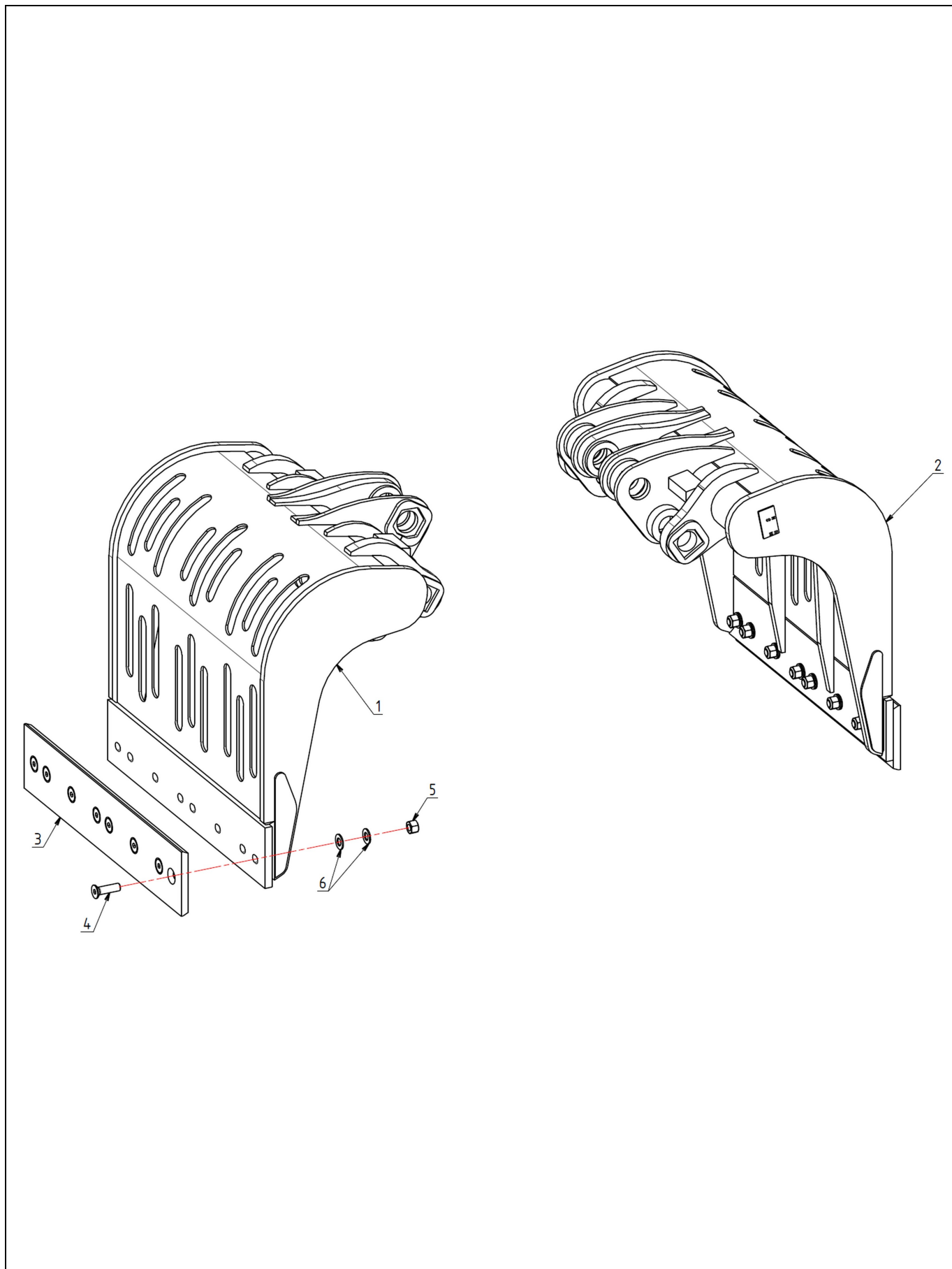
Shells set for JPS1102AFAP

Date of review: 11-févr.-22

Review: A

Exploded view

JPS1102AFAP_A



Shells set for JPS1102AFAP

Date of review: 11-févr.-22

Review: A

Pos	Part Number	Qty	Description	S/No - Remarks
01	X31251-300	1	Jaw "A"	
02	X31251-400	1	Jaw "B"	
03	CLNU-95078	2	Bolt on blade	
04	FHC20-070C10	16	Hex socket Countersunk head scre	
05	HFR20C10M	16	Self-locking nut	
06	RP20M	32	Flat washer	
x	CLR-95078		Blade set	

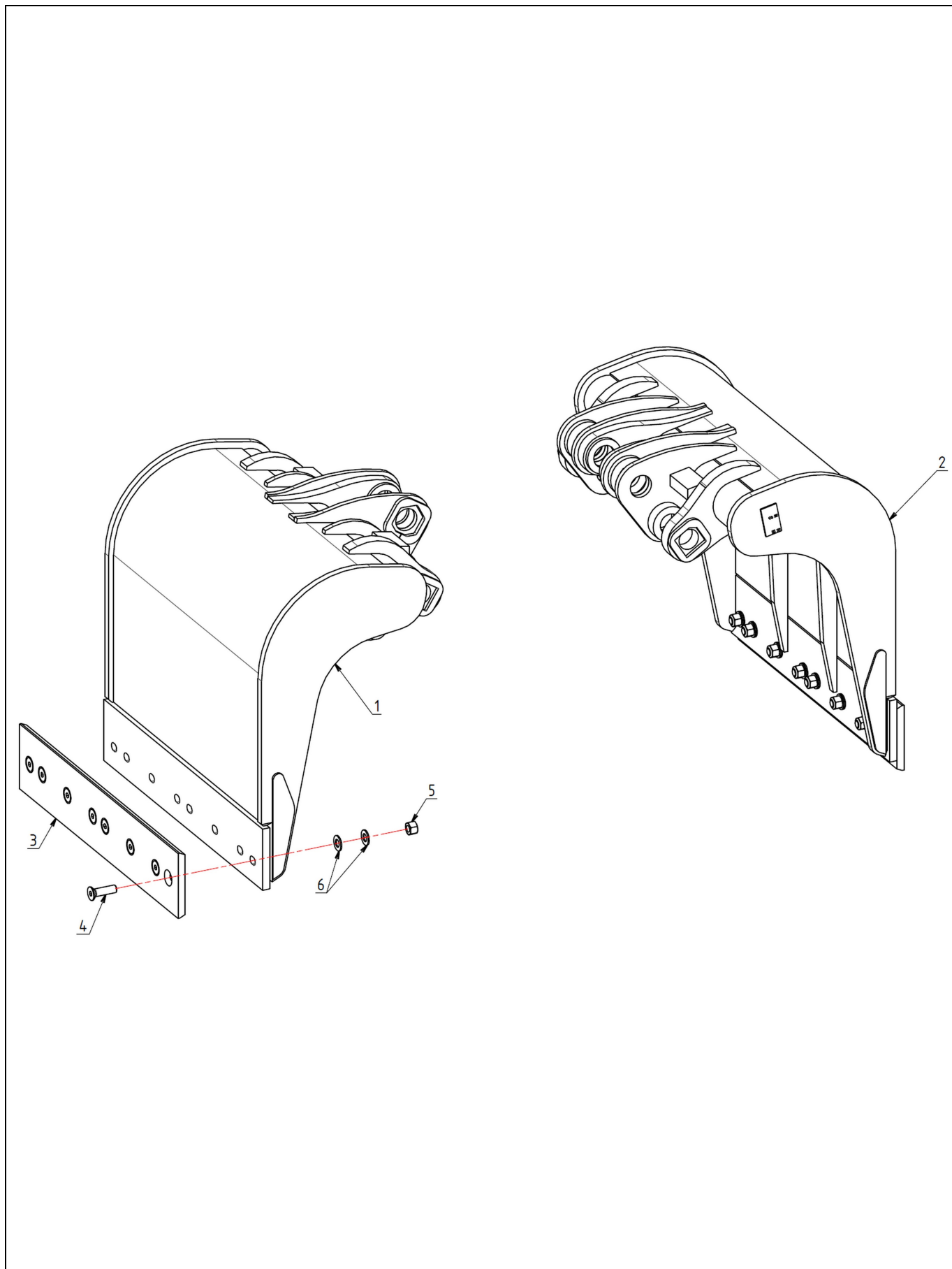
Shells set for JPS1102AROC

Date of review: 11-févr.-22

Review: A

Exploded view

JPS1102AROC_A



Shells set for JPS1102AROC

Date of review: 11-févr.-22

Review: A

Pos	Part Number	Qty	Description	S/No - Remarks
01	X31251-500	1	Jaw "A"	
02	X31251-600	1	Jaw "B"	
03	CLNU-95078	2	Bolt on blade	
04	FHC20-070C10	16	Hex socket Countersunk head scre	
05	HFR20C10M	16	Self-locking nut	
06	RP20M	32	Flat washer	
x	CLR-95078		Blade set	