

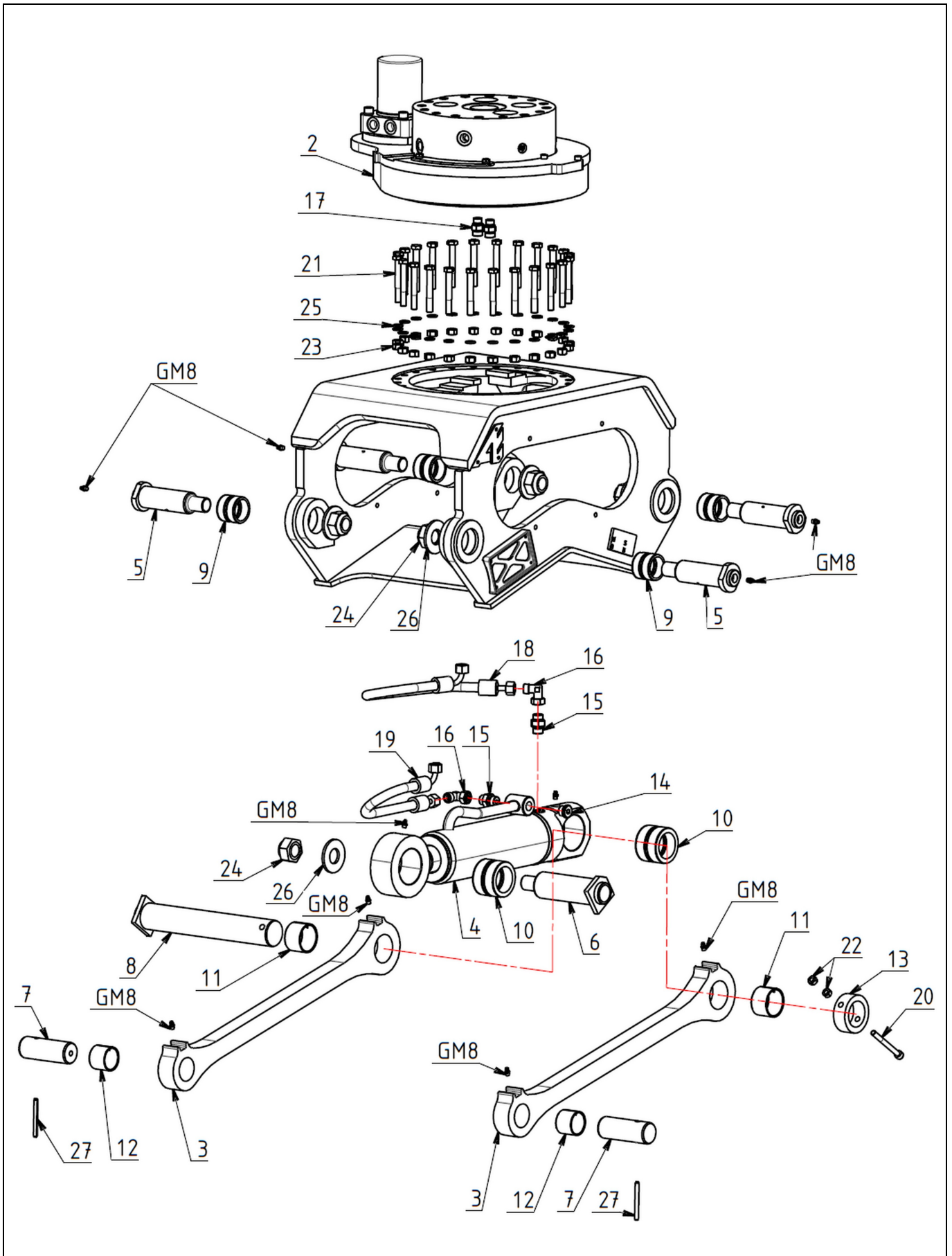
# Demolition and sorting grab structure S0603BR01

Date of review: 19-mars-26

Review: A

Exploded view

S0603BR01\_A



# Demolition and sorting grab structure S0603BR01

Date of review: 19-mars-26

Review: A

Pos	Part Number	Qty	Description	S/No - Remarks
01	X24195-100	1	Frame	
02	RAE0151-1DE01	1	Rotation set	
03	X24195-400	2	Steering link	
04	V1385	1	Cylinder	
05	X71361	4	Pin	
06	X71453	1	Pin	
07	X72542	2	Pin	
08	X72551	1	Pin	
09	X80255	4	Bushing	
10	X80257	2	Bushing	
11	X80364	2	Bushing	
12	X80365	2	Bushing	
13	X91445	1	Pin	
14	RAC30111	1	Plug	
15	RAC30316	2	Threaded adapter	
16	RAC30318	2	Threaded adapter	
17	RAC30320	2	Threaded adapter	
18	FLEX3360	1	Hose	
19	FLEX3188	1	Hose	
20	CHC10-100C12	1	Socket head capscrew	
21	HM12-090C10	24	Hex head capscrew	
22	H10C10	2	Nut	
23	H12C10	24	Nut	
24	HFR30	5	Self-locking nut	
25	RZ12	24	Lock washer	
26	RP32-070-05	5	Flat washer	
27	GE08-080	2	Spring-type straight pin	
GM8	GM8	10	Grease nipple	

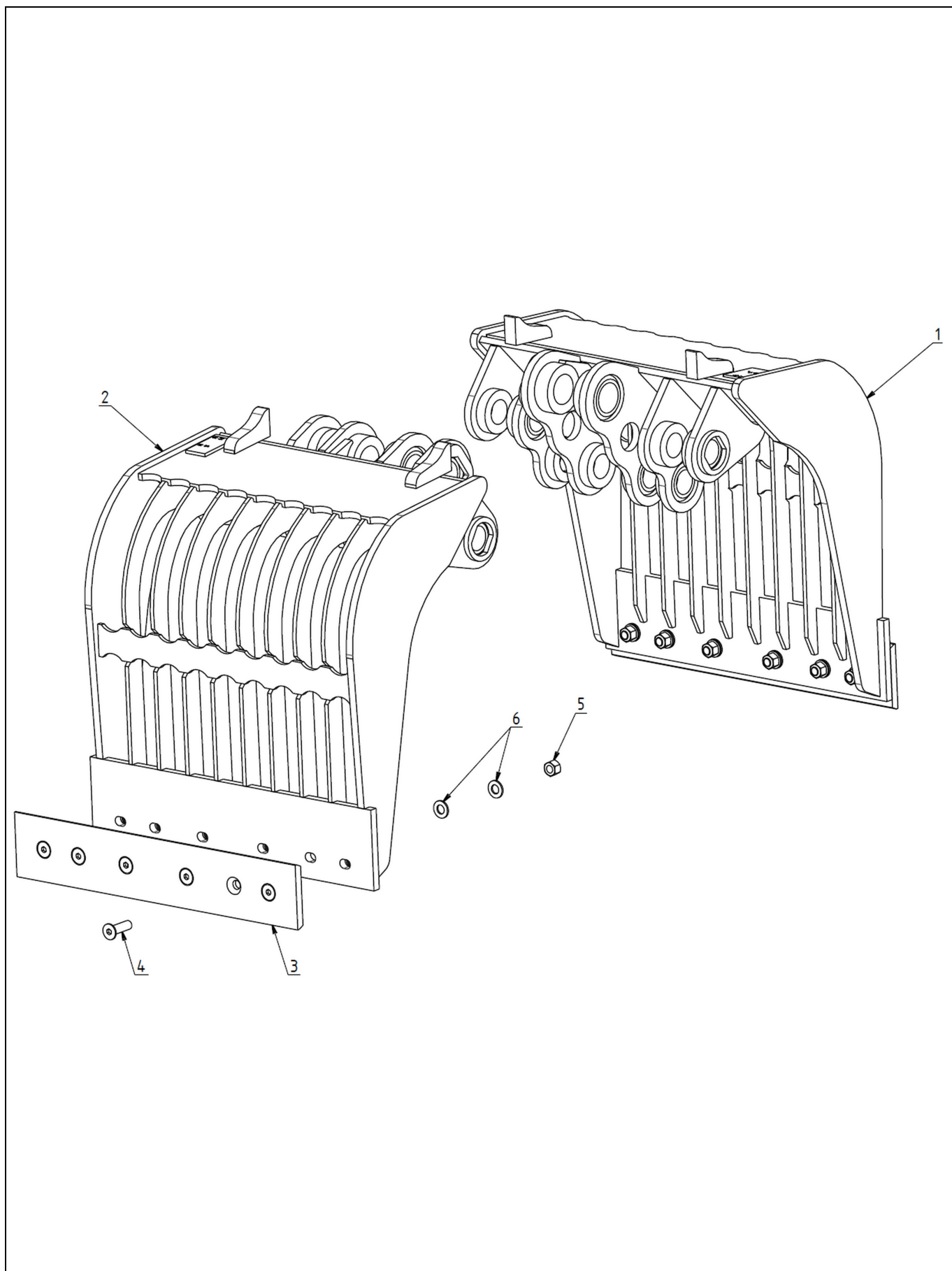
# Shells set for JPS0603ABAR

Date of review: 18-mai-21

Review: A

Exploded view

JPS0603ABAR\_A



# Shells set for JPS0603ABAR

Date of review: 18-mai-21

Review: A

Pos	Part Number	Qty	Description	S/No - Remarks
01	X30930-100	1	Jaw "A"	
02	X30930-200	1	Jaw "B"	
03	CLNU-95076	2	Bolt on blade	
04	FHC16-055C10	12	Hex socket Countersunk head scre	
05	HFR16C10M	12	Self-locking nut	
06	RP16M	24	Flat washer	
x	CLR-95076		Blade set	

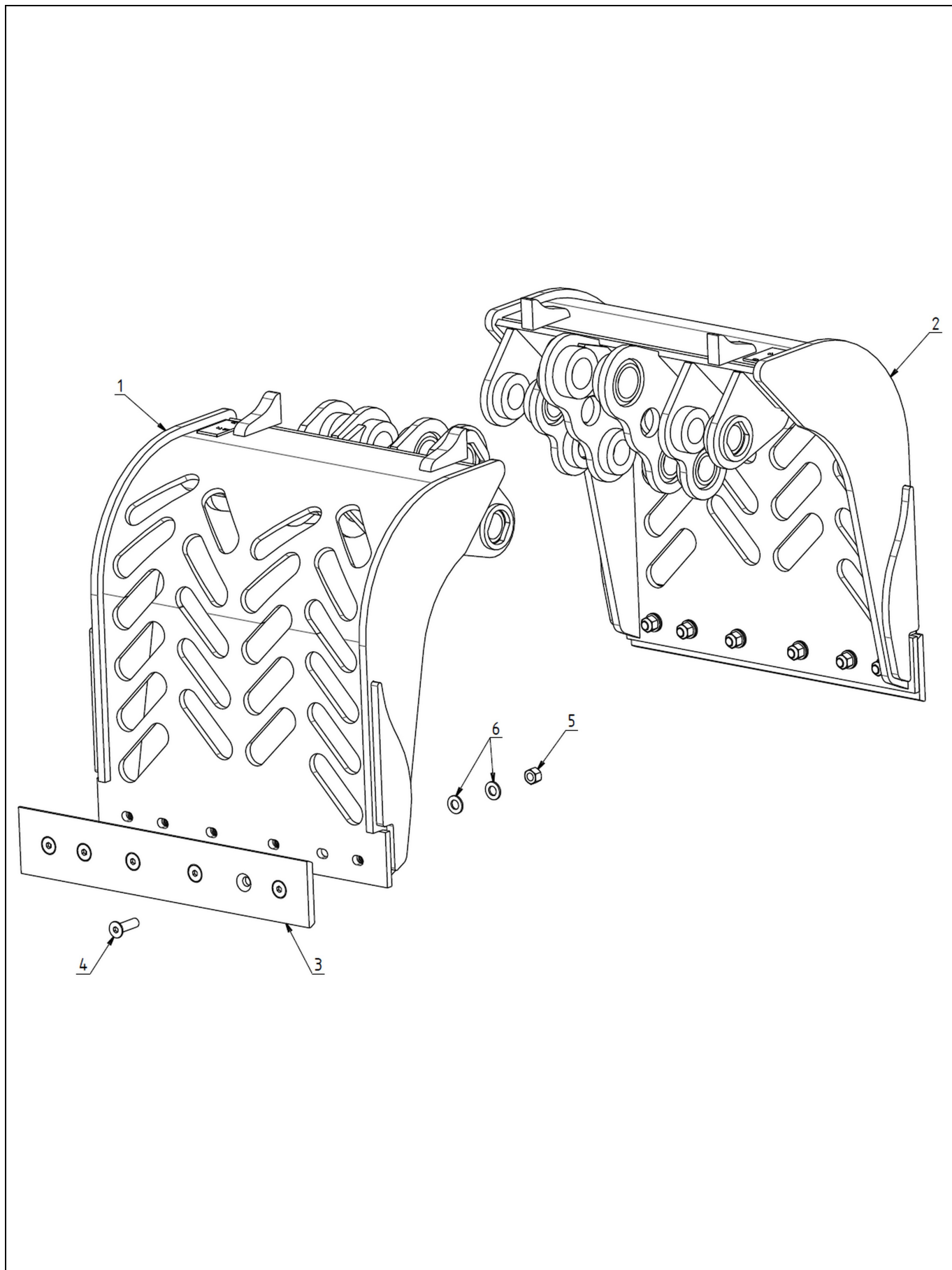
# Shells set for JPS0603AFAP

Date of review: 01-avr.-21

Review: A

Exploded view

JPS0603AFAP\_A



# Shells set for JPS0603AFAP

Date of review: 01-avr.-21

Review: A

Pos	Part Number	Qty	Description	S/No - Remarks
01	X30750-100	1	Jaw "A"	
02	X30750-200	1	Jaw "B"	
03	CLNU-95076	2	Bolt on blade	
04	FHC16-055C10	12	Hex socket Countersunk head scre	
05	HFR16C10M	12	Self-locking nut	
06	RP16M	24	Flat washer	
x	CLR-95076		Blade set	

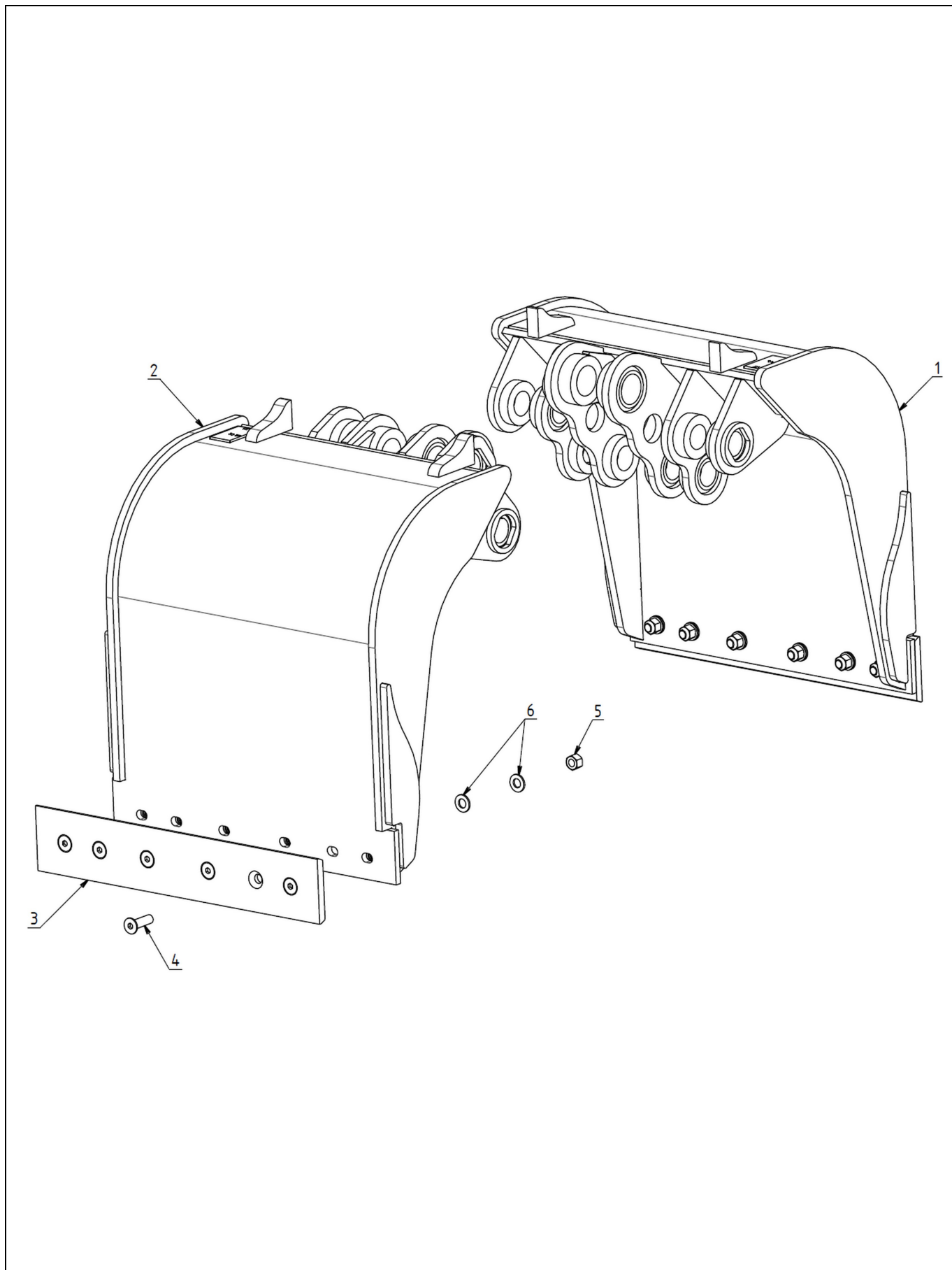
# Shells set for JPS0603AROC

Date of review: 19-mai-21

Review: A

Exploded view

JPS0603AROC\_A



# Shells set for JPS0603AROC

Date of review: 19-mai-21

Review: A

Pos	Part Number	Qty	Description	S/No - Remarks
01	X30929-100	1	Jaw "A"	
02	X30929-200	1	Jaw "B"	
03	CLNU-95076	2	Bolt on blade	
04	FHC16-055C10	12	Hex socket Countersunk head scre	
05	HFR16C10M	12	Self-locking nut	
06	RP16M	24	Flat washer	
x	CLR-95076		Blade set	