



A compact tool for maximum productivity !

AVP compactors are ideal for use with excavators from 3 to 40 tons. Thanks to their compact size, they can be used for many tasks :

- During the construction of pipelines and ducts
- For compacting embankments and slopes
- For working in confined spaces such as shaft compaction

The vibrating plates are available in three versions: with mechanical rotator, with hydraulic rotator, or without rotator.



Advantages

✓ Minimal maintenance

Fully hydraulic, the vibrating plates require no external power supply. Their simple design, with very few moving parts, greatly reduces maintenance needs and risk of failure.

✓ Vibration reduction system

The patented system directs forces towards the ground, keeping vibrations away from the machine. High-resistance rubber dampers absorb shocks to preserve the machine's integrity and operator comfort.

✓ Quick and simple installation

Compatible with all standard couplers on the market, the vibrating plates can be installed quickly and easily.

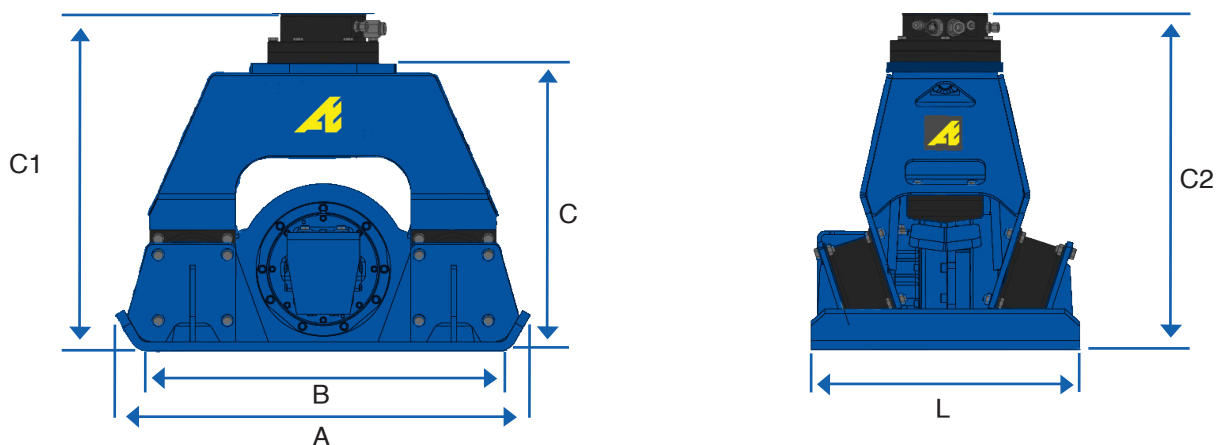
✓ Structure designed to last

The robust housing effectively protects the vibration mechanism. Specific bushings isolate vibrations and prevent any metal-to-metal contact, even under extreme conditions.

✓ Wear-resistant base plates

Made of high-strength steel, the plates ensure optimal durability, even when compacting highly abrasive materials.





Weight and dimensions

t	Reference	Standard weight*	Weight with mechanical version*	Weight with hydraulic version*	A	B	C	C1 (mec)	C2 (hyd)	Working ϕ	L
		kg	kg	kg	mm	mm	mm	mm	mm	mm	mm
3 - 5	AVP 20/30	160	185	230	875	790	405	485	645	910	300
3 - 5	AVP 20/40	170	195	240	875	790	405	485	645	910	400
4 - 12	AVP 55/46	370	395	440	1142	947	495	580	735	1205	460
4 - 12	AVP 55/56	385	410	455	1142	947	495	580	735	1205	560
4 - 12	AVP 55/64	-	425	470	1142	947	-	580	735	1205	640
12 - 40	AVP 90/80	-	-	1093	1544	1395	-	-	850	1800	800
12 - 40	AVP 110/80	-	-	1098	1544	1395	-	-	850	1800	800

*Data, including weight, is for guidance only. It may vary depending on excavator adaptations.

Technical Specifications

t	Reference	Maximum vibration frequency	Maximum centrifugal force	Required oil flow	Required hydraulic pressure	Maximum return pressure
		Hz	kN	l/min	bar	bar
3 - 5	AVP 20/30	60	20	60	100	30
3 - 5	AVP 20/40	60	20	60	100	30
4 - 12	AVP 55/46	45	55	80	150	30
4 - 12	AVP 55/56	45	55	80	150	30
4 - 12	AVP 55/64	60	55	110	150	30
12 - 40	AVP 90/80	40	90	160	330	30
12 - 40	AVP 110/80	40	110	160	330	30

Technical data and visuals are non-contractual and subject to change without prior notice.

