

AUTOMATIC AIO QUICK HITCH AIO350 - AIO551 - AIO601



Change hydraulic and mechanical tools without leaving the cab!

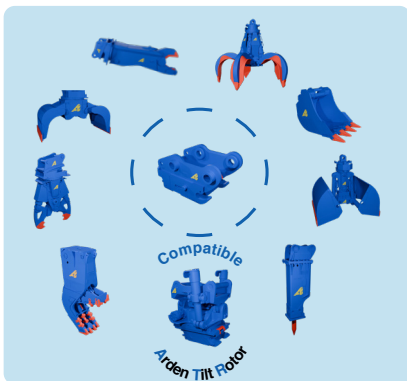
The AIO (All In One) is an automatic quick hitch system for 12 to 40-ton excavators. It allows instantaneous connection of hydraulic and mechanical tools from the cab and quick switching between attachments in total safety.

Choose versatility

Compact and robust, the AIO is equipped with high-pressure and high-flow connectors, ensuring compatibility with the most powerful attachments on the market. It is ideal for demanding applications such as demolition, recycling and earthmoving.



AIO with ATR: full rotation and tilt on both sides.

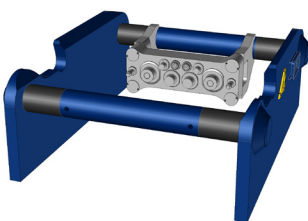


Connectors can withstand pressures from 400 to 420 bar. Specific couplers are available on request for other fluids (water for Arden Jet, hydraulic for drain, and grease). Electrical connectors can also be integrated.

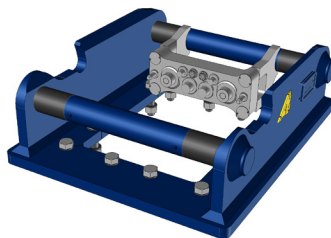
Options

Hydraulic kit for quick hitch

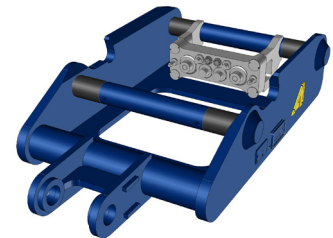
Various AIO adapter plates are available, with play-free assembly ensuring efficiency and durability. As our AIO is compatible with AES, the same hitches without couplers can also be used.



Weld-on frame



Bolted adapter plate for internal piping tools



Backhoe adapter plate



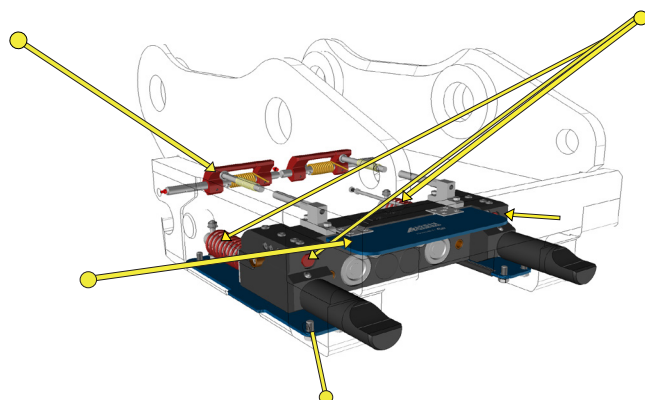
Technical description

Front pin safety pallets

ensure correct tool positioning, prevent accidental detachment and serve as a visual locking indicator (except AIO350)

A fold-away guard

automatically protects couplers when using mechanical tools.

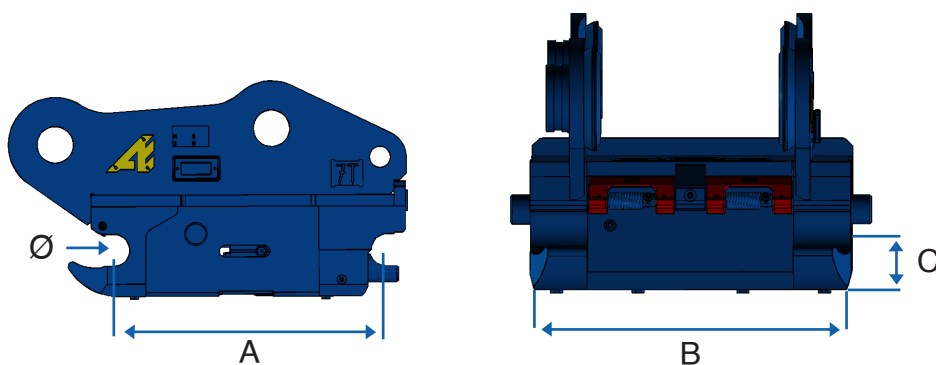


Powerful springs and piloted check valves ensure optimal tool retention, even in the event of hydraulic failure.

Designed with an environmentally friendly approach, the AIO hitch limits oil loss thanks to its coupler technology.

A bolted guard protects the internal mechanism

Its robust high-yield steel design, combined with a play-compensation system on the adapter plate side, ensures increased reliability and lifespan of the couplers.



t	Reference	KG	A	B	C	Ø	Jack pressure		Jack flow rate	
							bar		l/min	
			mm	mm	mm	mm	min	max	min	max
12 - 19	AIO 350	170	480	340	80	60	210	350	5	15
20 - 32	AIO 551	335	600	550	100	70	210	350	5	15
26 - 40	AIO 601	495	670	590	115	80	210	350	5	15

* Data, including weight, are provided for information purposes only. They may vary depending on the excavator adaptations.

Technical data and visuals are non-contractual and subject to change without prior.



+33 (0)3 24 33 64 30



contact@arden-equipment.com



9 avenue de l'Industrie FR - 08000 Charleville-Mézières



www.arden-equipment.com

